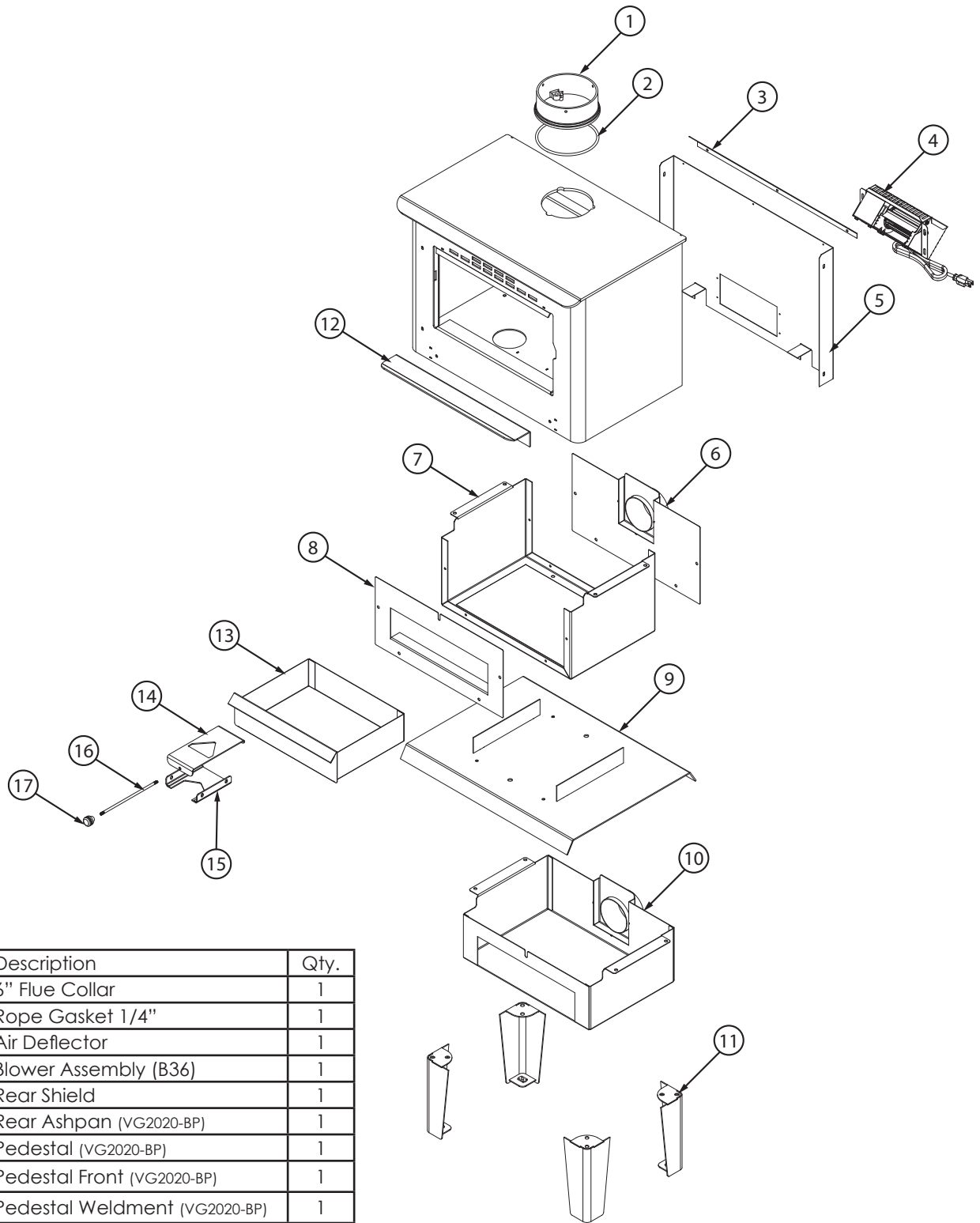


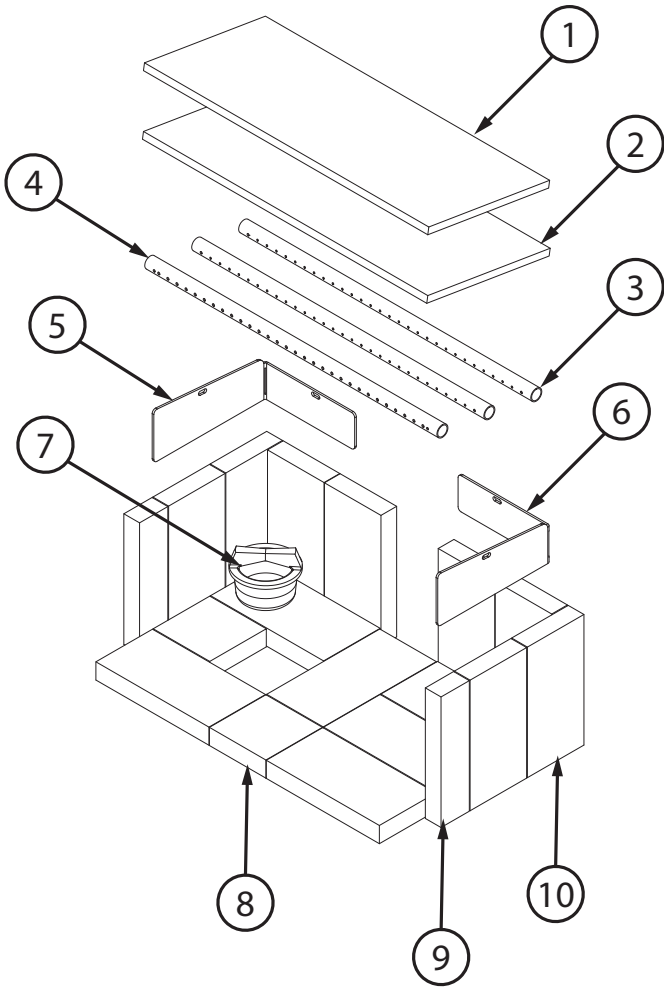
Repair Parts



Key	Part No.	Description	Qty.
1	40292A	6" Flue Collar	1
2	88042	Rope Gasket 1/4"	1
3	25845	Air Deflector	1
4	891492	Blower Assembly (B36)	1
5	26060	Rear Shield	1
6	610926	Rear Ashpan (VG2020-BP)	1
7	29068	Pedestal (VG2020-BP)	1
8	29065	Pedestal Front (VG2020-BP)	1
9	610960	Pedestal Weldment (VG2020-BP)	1
10	610925	Ashpan Housing (VG2020-BL)	1
11	610883	Leg Weldment (VG2020-BL)	4
12	25826	Hearth Plate	1
13	29216	Ash Pan	1
14	610927	Damper Slide Weld	1
15	610066	Slide Retainer Weld	1
16	86954	Damper Rod	1
17	893162	Wooden Knob	1

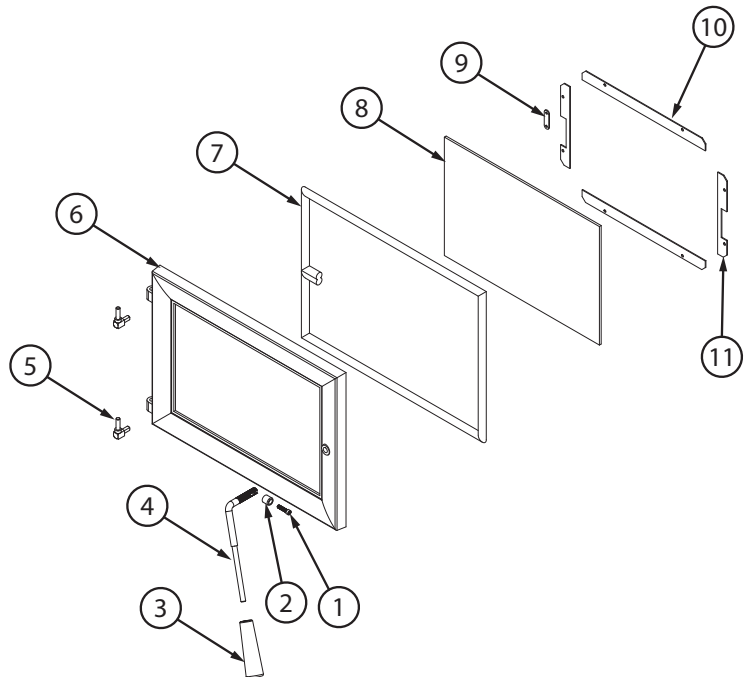
In order to maintain warranty, components must be replaced using original manufacturers parts purchased through your dealer or directly from the appliance manufacturer. Use of third party components will void the warranty.

Repair Parts



Key	Part No.	Description	Qty.
1	88316	Kao Wool Blanket	1
2	88146	Ceramic Fiber Board	1
3	86953	Secondary Air Tube (Ø1/8)	2
4	86952	Secondary Air Tube (Ø11/64)	1
5	29039	Brick Retainer (left)	1
6	29040	Brick Retainer (right)	1
7	40561	Ash Plug	1
8	24103A	Half Pumice Firebrick (4-1/2 X 4-1/2)	2
9	891414A	Half Firebrick	2
10	89066A	Pumice Firebrick (4-1/2 X 9)	14

Key	Part No.	Description	Qty.
1	83788	Socket Head Screw	1
2	893062	Roller Sleeve	1
3	893156	Wooden Thru Handle	1
4	893164	Door Handle	1
5	891373	Door Hinge Pad (Threaded)	2
6	40880	Lg Square Cast Door	1
7	88066	Rope Gasket 5/8"	1
8	893155	Glass	1
9	26314	Gasket Clamp	1
10	29212	Bottom Glass Clamp	2
11	29213	Sides Glass Clamp	2



In order to maintain warranty, components must be replaced using original manufacturers parts purchased through your dealer or directly from the appliance manufacturer. Use of third party components will void the warranty.