

Whitfield

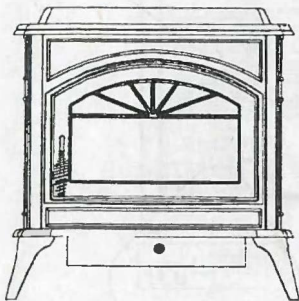
TRADITIONS™

INSTALLATION INSTRUCTIONS

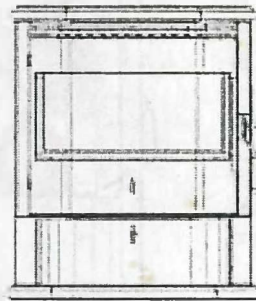
FREESTANDING AND INSERT PELLET FIRED STOVES

LISTED ROOM HEATER, PELLETIZED WOOD FUEL TYPE
P/N20922000, REV. A, 11/2000

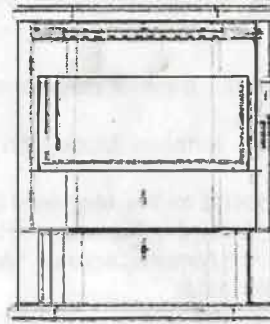
MODELS P11, Profile 20 & Profile 30



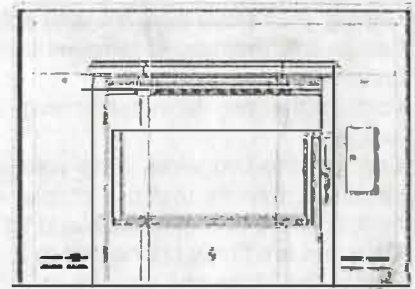
Traditions™ Freestanding
Model P11
Serial # up to 5492



Whitfield™ Freestanding
Model Profile 20



Whitfield™ Freestanding
Model Profile 30



Whitfield™ Insert
Model Profile 30

Warning: The minimum clearances specified must be maintained for all combustible surfaces and materials including: furniture, carpet, drapes, clothing, wood, papers, etc. Do not store pellet fuel within this clearance zone.

These stoves must be properly installed and operated in order to prevent the possibility of a house fire. Please read this entire owner's manual before installing and using your Whitfield or Traditions pellet stove. Failure to follow these instructions could result in property damage, bodily injury or even death. Contact your local building or fire officials to obtain a permit and information on any installation restrictions and inspection requirements in your area.

Do not use class B venting intended for gas appliances as a chimney or connector pipe on a pellet fired appliance.

Do not connect this appliance to a chimney flue connected to another appliance.

Burning any kind of fuel consumes oxygen. If outside air is not ducted to the appliance, ensure that there is an adequate source of fresh air available to the room where the appliance is installed.

FOR YOUR SAFETY: Do not store or use gasoline or other flammable vapors or liquids in the vicinity of this or any other appliance.

Manufactured (mobile) home requirements: An outside air inlet must be provided for combustion and be unrestricted while unit is in use. Do not install appliance in a sleeping room. The structural integrity of the manufactured home floor, walls, ceiling and roof must be maintained. Regulations require that the appliance must be secured to the floor and grounded to the chassis.

This appliance requires non-combustible floor protection or approved hearth/hearth protection as specified in this manual.



WH Report Numbers: Traditions P11: 476-1129, Profile 20: 476-6658, Profile 30: 476-1244



ADDENDUM INSTALLATION AND OPERATION MANUAL

LENNOX
HEARTH PRODUCTS

Brand: Whitfield™ and Traditions™
Model: Profile 20

Date: 3/16/01
BTN: A-PC151-1

The following correction affects Installation and Operation Manual, part # 20922000 with a revision "IR", "A" or "B". Manuals with a revision C (March 2001) or later have this correction. Note: The manual revision date is printed on the front cover page. The affected stove serial number range is #146-03813 and higher

The following replaces the *Wiring Diagram* on page 5 and the *Thermostat Installation* section on page 8 in the manual:

NOTE: ALWAYS DISCONNECT POWER BEFORE PERFORMING THE THERMOSTAT INSTALLATION.

THERMOSTAT INSTALLATION – Page 8:

1. A 24volt thermostat is included with your stove accessories, along with a length of thermostat wire.
2. Unplug your stove from the wall outlet.
3. Locate the thermostat terminal block on the back of the stove (see illustration).
4. Loosen the two terminal screws on the terminal block and remove jumper.
5. Connect the two wires from your thermostat to the terminals (one per terminal). Ensure that the purple wires from the harness remain connected to the terminal block and tighten the terminal screws. Make sure the wires are firmly connected to the thermostat.
6. Plug in the stove and you are ready to operate with your thermostat!

NOTE: If the jumper is missing, and you do not have a thermostat installed, your stove will not operate. It is recommended that you consult your authorized dealer for thermostat installation information.

STOVE WIRING DIAGRAM-Page 5

Freestanding Model - Profile 20

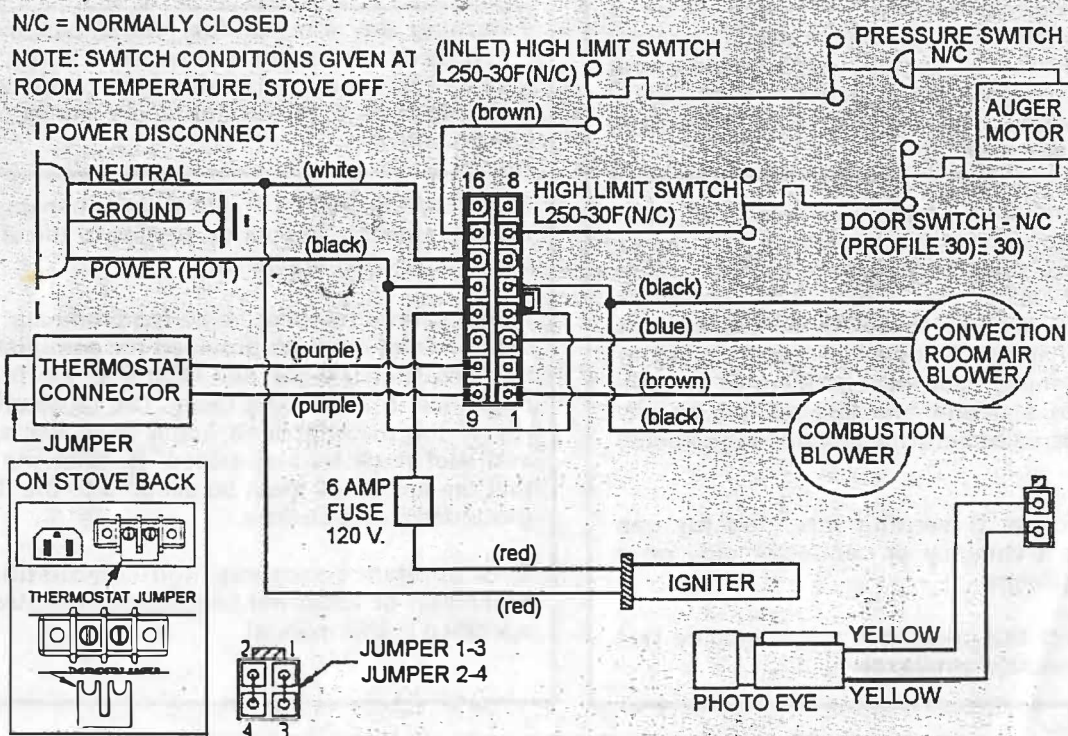
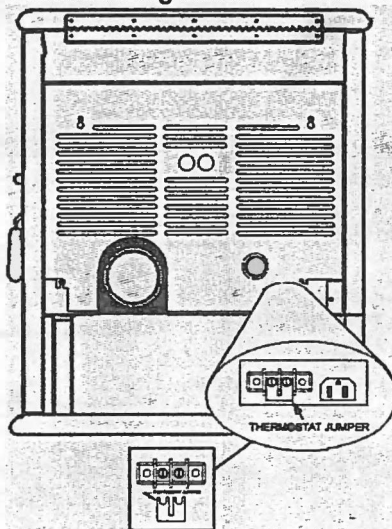


Table of Contents

Safety Information

Safety Precautions	3-4
Safety Testing	4-5
Glossary	5
Wiring Diagram	5
Pellet Fuels	6

Installation

Pre-assembly Stove Instructions	7
Thermostat Installation	8
Stove Clearances/Floor Protection	11-12
Manufactured (Mobile) Home Installation	13-14
Venting Requirements	15-22

Operation

Control Board Operation	23
Initial Start-up	24
Manual Operation	24
Automatic Operation	24
Proper Burn Characteristics	25
Pellet Feed/Pellet Size	25
Burn Time	25
Automatic Safety Features	25

Maintenance Requirements	26-28
--------------------------	-------

Stove Specifications	29-32
----------------------	-------

Troubleshooting	33-35
-----------------	-------

Warranty	36
----------	----

Shroud Assembly Components	37
----------------------------	----

Replacement Parts List	38
------------------------	----

Safety/Listing Labels (Rating Plate)	39-41
--------------------------------------	-------

PACKAGING LIST

The assembled pellet stove models P11-Traditions, Profile 20-freestanding, Profile 30-freestanding and Profile 30-insert are packaged with an accessory package which contains the following:

- One - Installation and operation instructions manual
- One - Power cord
- One - Control Board
- One - Screw, #8 x 1/2" TEK (for mounting control board)
- One - Grate Scraper
- One - Lower Trim
- One - Wall Thermostat
- One - Roll of Thermostat Wire
- Two - Leveling Bolts, 1/4-20x 3"

Shroud Kit (For Profile 30-Insert Only)

(Purchased separately, see page 37) Kit is packaged with:

- One - Top Shroud Panel.
- One - Left Shroud Panel.
- One - Right Shroud Panel with Door.
- One - Left Side Trim
- One - Right Side Trim
- One - Top Trim
- Two - Corner Keys ("L" shaped brackets)

SAVE THESE INSTRUCTIONS.

PRODUCT IS SUBJECT TO CHANGE WITHOUT NOTICE.

Safety Precautions

Safety Notice

THIS STOVE MUST BE PROPERLY INSTALLED AND OPERATED IN ORDER TO PREVENT THE POSSIBILITY OF A HOUSE FIRE. PLEASE READ THIS ENTIRE OWNER'S MANUAL BEFORE INSTALLING AND USING YOUR WHITFIELD PELLET STOVE. FAILURE TO FOLLOW THESE INSTRUCTIONS COULD RESULT IN PROPERTY DAMAGE, BODILY INJURY OR EVEN DEATH. CONTACT YOUR LOCAL BUILDING OR FIRE OFFICIALS TO OBTAIN A PERMIT AND INFORMATION ON ANY INSTALLATION RESTRICTIONS AND INSPECTION REQUIREMENTS IN YOUR AREA.

Installation Disclaimer

THIS STOVES EXHAUST SYSTEM WORKS WITH NEGATIVE COMBUSTION CHAMBER PRESSURE AND A SLIGHTLY POSITIVE CHIMNEY PRESSURE. THEREFORE, IT IS IMPERATIVE THAT THE EXHAUST SYSTEM BE GAS TIGHT AND INSTALLED CORRECTLY. SINCE LENNOX HEARTH PRODUCTS, HAS NO CONTROL OVER THE INSTALLATION OF YOUR STOVE, LENNOX HEARTH PRODUCTS GRANTS NO WARRANTY, IMPLIED OR STATED FOR THE INSTALLATION OR MAINTENANCE OF YOUR STOVE, AND ASSUMES NO RESPONSIBILITY FOR ANY CONSEQUENTIAL DAMAGE(S).

Detailed Safety Precautions

Fuel - With its advanced UltraGrate technology, the Whitfield and Traditions brand pellet stoves are designed and approved for the burning of wood residue pellets with up to 3% ash content (i.e. cardboard, nut hulls, cherry pits etc.). The burning of agricultural residues (i.e. corn, alfalfa etc.) in pellet form is not permitted. Failure to comply with this restriction will void all warranties and the safety listing of the stove. Consult with your dealer for more information on approved pellet fuels and the proper burn grate for the fuels in your area.

Cleaning - There may be some build-up of dust and smaller quantities of soot or creosote in the exhaust system over the burn season. This will vary due to the ash content of the fuel being burned. A precautionary inspection on a regular basis is advisable to determine the necessity of cleaning.

Continuous Operation - When operated correctly, your pellet stove cannot be over-fired. Continuous operation at a maximum burn can, however, shorten the life of the electrical components (blowers, motors, and electronic controls), and is not recommended. Typical approved operation would include running at the low to mid range setting with occasional running on the maximum setting during the coldest periods of the winter. The blower speed control should be turned to high when operating the stove on the high heat setting.

Liquid Flammables - Gasoline or other flammable liquids must NEVER be used to start or "freshen-up" the fire. Keep all such liquids well away from the stove at all times.

Ashes - Any ashes removed from the pellet stove must be deposited in a metal container with a tight-fitting lid. The closed container of ashes should be placed on a noncombustible floor or on the ground, well away from all combustible materials, outside of the dwelling pending final disposal. If the ashes are disposed of by burial in soil or otherwise locally dispersed, they should be retained in the closed container until all cinders have been thoroughly cooled.

Power - The appliance is provided with a detachable, grounded electrical cord. This cord should be plugged into a standard, 115 volt, 60 Hz grounded electrical outlet. The approximate power requirement is 200 watts, or will peak to approximately 700 watts for 15 minutes when the self-igniter is operating. The power supply cord must be routed to avoid contact with any of the hot or sharp exterior surface areas of the stove. In addition, if the pellet stove is installed in a manufactured (mobile) home, it must be: Connected to a source of outside air, Electrically grounded to the steel chassis and Bolted to the floor in compliance with and according to H.U.D. requirements unless otherwise specified by state or local authorities.

Soot Formation - For all wood pellet fuel-burning heater products the combustion gases will contain small particles of fly ash. The fly ash will collect in the exhaust venting system and restrict the flow of the flue gases, over time. Incomplete combustion, such as occurs during startup, shutdown, or incorrect operation of the room heater will lead to some soot formation which will collect in the exhaust venting system. The exhaust venting system should be inspected at least once every year to determine if cleaning is necessary.

Detailed Safety Precautions (cont'd)

Auger - Pellet fuel is fed to the burn grate by a screw auger. This auger is driven by a high torque motor. The auger is capable of doing serious harm to fingers. Keep pellets in the hopper at all times and keep fingers away from auger. The auger can start and stop automatically at any time while the stove is running.

Smoke Detector - Depending on your local codes, a smoke detector may be required in the room where the stove is installed. We recommend that smoke detectors be installed in all homes and maintained in an operational condition at all times, no matter whether you are using a heating appliance or not.

Safety Testing

In accordance with the specifications and procedures listed in UL 1482 & ASTM E1509 for solid fuel room heater, the Lennox Hearth Products Pellet Stove has been independently tested and listed by I.T.S. (an accredited testing laboratory) to UL, ULC and CSA standards. UL 1482 states requirements for installations as a freestanding room heater, or hearth insert for masonry or metal (zero clearance) fireplaces. The Safety Listing Label is located on the rear inspection panel for model P11 and in the hopper for the Profile models. Please read the label carefully. It contains important information about installation and operation of your Lennox Hearth Products Pellet Stove.

This Owner's Manual is provided to you to supplement, rather than replace or update, the information contained on the safety label. Note that your STOVE'S serial number is located on the safety label. Your stove's serial number is preceded by a "WH-" (Example WH-0000000). The serial number for insert stoves is also located on a label under the hopper lid. This appliance is designed specifically for use only with pelletized fuels. It is tested and listed for residential installation according to current national and local building codes as:

- A Freestanding Room Heater
- A hearth insert when installed into a masonry or factory built fireplace.
- A Mobile Home Heater

Note: This stove is not intended for use in commercial installations other than where the stove is being sold without prior approval from Lennox Hearth Products. The stove will not operate using natural draft, nor without a power source for the blower and fuel feeding systems. The appliance is provided with an exhaust connector for a 3 inch listed type "L" double wall pellet vent pipe with stainless steel inner liner.

See pages 39 to 41 for Stove Safety Labels

Reference Information

AUTOMATIC IGNITER. If your automatic ignition system should ever need troubleshooting, repair or replacement, please contact your Authorized Dealer. Your appliance can be lit manually without using the automatic igniter by following the procedure shown below.

If your stove is set up to run on a thermostat, the thermostat circuit needs to be closed (as if permanently in the demand mode). The thermostat wires should be removed from the rear of the stove and replaced with the red jumper wire originally supplied with your stove. If a jumper wire is not available the thermostat should be set to the highest setting. This will keep the stove in the demand mode.

MANUAL LIGHTING

1. Press the ON switch on the control panel.
2. Wait approximately 2 1/2 minutes while the pellets prime the grate (the pellets will stop feeding automatically).
3. Place a small amount of an approved (non-volatile) fire starter on top of the pellets in the grate, (see your dealer for appropriate fire starting products). **DO NOT USE FLAMMABLE LIQUIDS TO START YOUR STOVE!**
4. Light the "fire starter" with a match and close the door.
5. The photoelectric eye will detect that a flame is present and will begin feeding pellets in approximately 2 minutes.
6. The control panel will continue to go through the normal start-up cycle and the flame should be well established within 10 minutes from the time the ON button was initially pressed. Remember – you are now in manual mode and heat settings should be selected to the desired room heat level.

TURNING OFF YOUR STOVE

Press the stove ON/OFF switch on the control panel to shut down your stove. The control will initiate the shutdown procedure and safely shut down your stove.

COMPONENT DEFINITIONS

AIR WASH – To inhibit buildup of soot on the door glass, air is delivered to the glass through an air wash system located in the doorframe surrounding the glass.
AUGER – The auger transfers the fuel down the burner tube into the firepot.

AUGER MOTOR – The auger motor specifications are: 4 amp, 1 rpm (revolutions per minute). The auger motor drives the auger to deliver fuel to firepot.

BLOWER, ROOM AIR – The blower specifications are: 150 CFM (cubic feet per minute), .8 amp, 2178 rpm (revolutions per minute). The blower's function is to transfer the heat from the appliance to heat the room air.

BLOWER, COMBUSTION - The blower specifications are: 95 CFM (cubic feet per minute), 1.0 amp, 2880 rpm (revolutions per minute). This fan operates at 2800 RPM. It has a radial impeller to deliver more air to the firepot. It pulls air into the firepot by creating a negative pressure. This is done by extracting the exhaust gases out of the firebox and pushing the exhaust downstream to the flue exit.

DISC, CONVECTION HIGH LIMIT (L250-30F, N/C) – If the temperature of the convection air chamber reaches 250° F., the high limit auto reset will "trip" and stop the flow of electricity to the auger motor. It will not automatically reset until it has cooled below 220° F.

DISC, INLET HIGH LIMIT (L250-30F, N/C) – If the exhaust flow is unable to leave at the required rate then heated exhaust will back up resulting in heat activation of this switch (trips at 250° F will stop the flow of electricity to the auger motor. It will not automatically reset until it has cooled below 220° F).

DOOR SWITCH (Profile 30) – If the door is opened during operation (on model Profile 30), this switch disconnects power to the auger motor resulting in the unit shutting down.

FIREPOT – The firepot is where combustion occurs.

HOPPER – The hopper is where the pellets are stored.

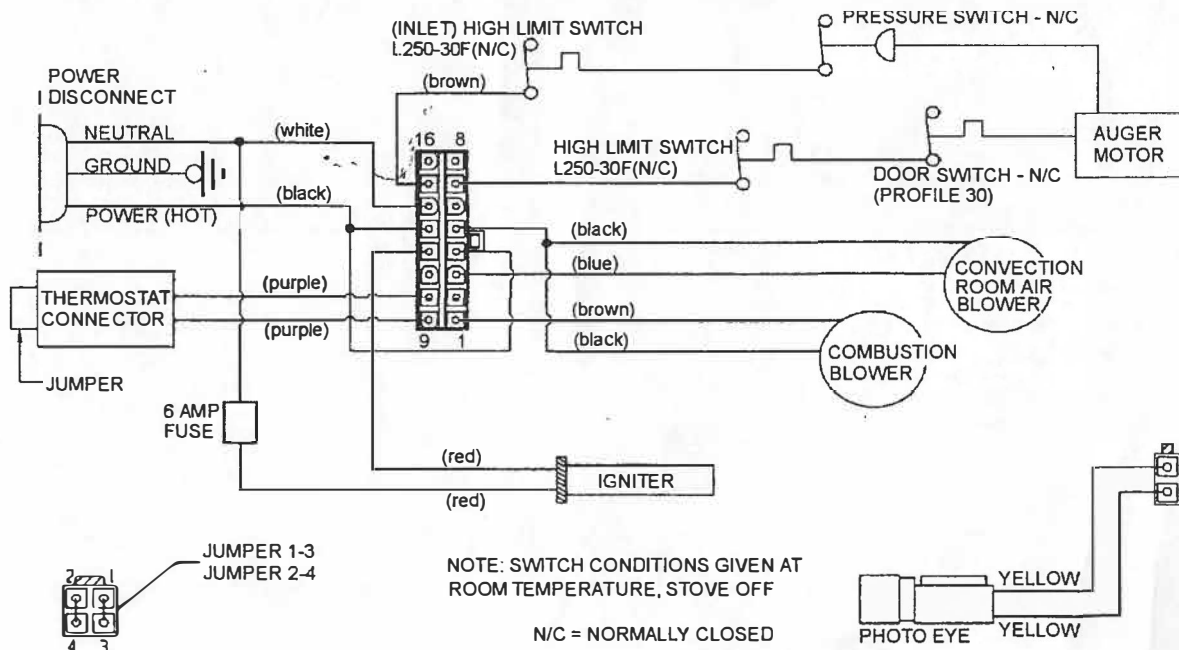
HEAT OUTPUT SWITCH – This is the main power switch, which controls power to the feed system auger motor and draft fan. It has 3 feed rate settings, which controls the burn rate.

PHOTOEYE - The photoeye is designed to signal the control board to discontinue power to the auger motor if it does not sense a flame in the firepot.

PRESSURE SWITCH – The pressure switch is a safety device used to shut off the feed system (auger motor) if there is too much back pressure in venting system. Some possible causes are as follows:

- ◆ The venting system is obstructed.
- ◆ High Altitude or other misc. environmental conditions affecting exhaust flow.
- ◆ Improper Venting System

WIRING DIAGRAM (120VAC)



Pellet Fuels

General Information

Using the UltraGrate burn system, the Whitfield and Traditions pellet stoves have been designed to burn wood residue pellets with up to 3% ash content. Agricultural pellets (i.e... Corn, alfalfa etc.) are not permitted to be burned in the stove. Dirty fuel will adversely affect the performance of the stove.

Caution: The use of unapproved, dirty, wet and/or high salt content fuel will void the warranty!

Wood pellets manufactured to the Pellet Fuels Institute (P.F.I.) Certification Standard are available in two grades, Standard and Premium. The primary difference between the two is the ash content of the pellets.

The P.F.I., specification for Standard Grade & Premium Grade residential pellet fuel is as follows:

CHLORIDES (Salt): Less than 300 p.p.m..

BULK DENSITY: 40 lb. / cu. ft. minimum

MOISTURE CONTENT: 8% maximum

ASH CONTENT: < 3% maximum (Standard Grade) < 1% maximum (Premium Grade)

FINES: 0.5% maximum through a 1/8" screen

Clinkering

Silica (or sand) in the fuel, along with other impurities, can cause clinkering. A clinker is a hard mass of silica formed in the burning process. Clinkering is a function of the fuel, (not the stove), but adversely affects the performance of the stove by blocking off the air passages in the grate. Even P.F.I. approved pellet fuel may tend to clinker. A clinker can be removed from the burn grate and placed in the ash pan with the use of the grate scraper/ash pan tool furnished with your stove. See Routine Maintenance for more information on cleaning.

Ash

The frequency of removal of the ash and maintenance performed on the stove is directly proportional to the ash content of the fuel and the operation duration of your pellet stove. Low ash fuel may allow longer intervals between cleaning, however, a stove burning high ash fuel may need to be cleaned as often as everyday.

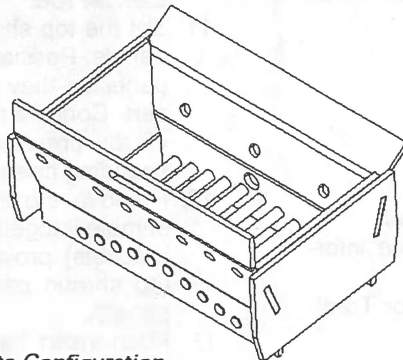
PLEASE NOTE: Lennox Hearth Products has no control over the manufacturing of pellet fuel and will not be held responsible for poor stove performance or any damage caused by inferior pellet fuels.

Fuel Feed Rates

Different brands of pellets will feed at varying rates due to their size and density (length and diameter).

This may require a slight adjustment in the damper control or the pellet feed control to compensate.

See general operating instructions on page 24.

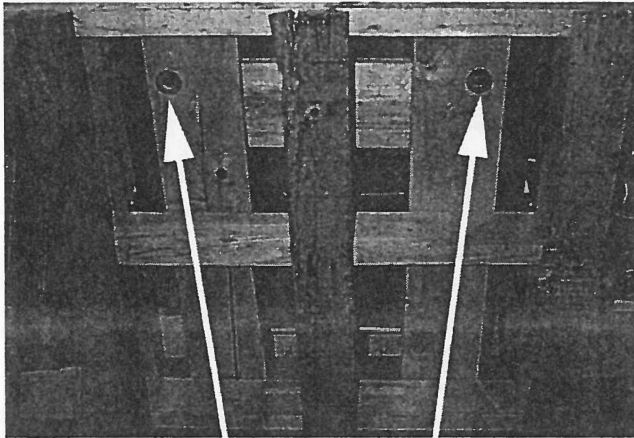


UltraGrate Configuration

Pre-Assembly / Stove Installation

Pre-Installation

1. After removing the packaging from the stove, lift the hopper lid, and remove all pre-packaged items that were shipped in the hopper. Next, open the stove door and remove all pre-packaged items.
2. (Profile models only) Using a 7/16" socket or open end wrench, remove the bolts which secure stove to pallet. The bolts are located on the underside of the wooden pallet.



Remove the Three Bolts from Underneath the Pallet (Profile Models Only)

Installation Check List

It is strongly recommended that you have an Authorized Dealer install your stove. If you install your stove yourself, you should review your installation plan with an Authorized Whitfield or Traditions Dealer.

Check list:

Check off each item as you go through your installation as part of the installation process.

- Read the ENTIRE Stove Installation Section first
- Read the Insert or Freestanding section (whichever applies).
- Determine the appropriate measurements and locations for your installation.
- Follow the general installation directions under Stove Installation and the installation section appropriate to your stove.
- Be sure to pre-fit all items before you install, fasten, or set up the stove permanently.

Prior to lighting your stove:

- Review the Safety Precautions section.
- Review the Pellet Fuels Section.
- Review the Operating Instructions.
- Follow the Operating Instructions.

After you have begun operation of your stove:

- Review the Routine Cleaning / Maintenance information.
- Enjoy the warmth from your new Whitfield or Traditions Pellet Stove!

All Models – Plug power cord into connector on Unit

Plug the power cord connector into the corresponding connector on the back of appliance. (Profile 30 Insert – Route power cord behind side shroud panel).

Profile 30 Insert – Installing Leveling Bolts

It may be necessary to level the appliance in some installations such as a recessed firebox floor (if the existing fireplace has a firebox floor which is lower than the hearth). If needed, install the 2 leveling bolts (1/4-20 x 3" long) into the threaded holes at the rear base of the insert. Adjust bolts until appliance is level.

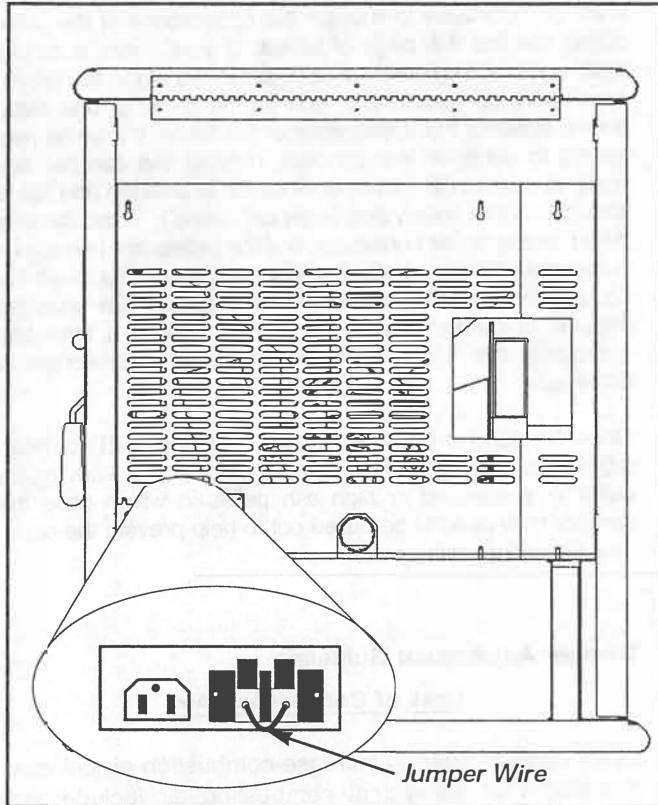
Profile 30 Insert – Installing Shroud Assembly (To be done after venting system is installed)

This appliance comes with a set of metal panels that seal the fireplace opening when fitted together. There is also a trim assembly that frames the shroud assembly to give it an attractive finished appearance. Put the shroud assembly together according to the following instructions (Ref. see Illustration on page 37).

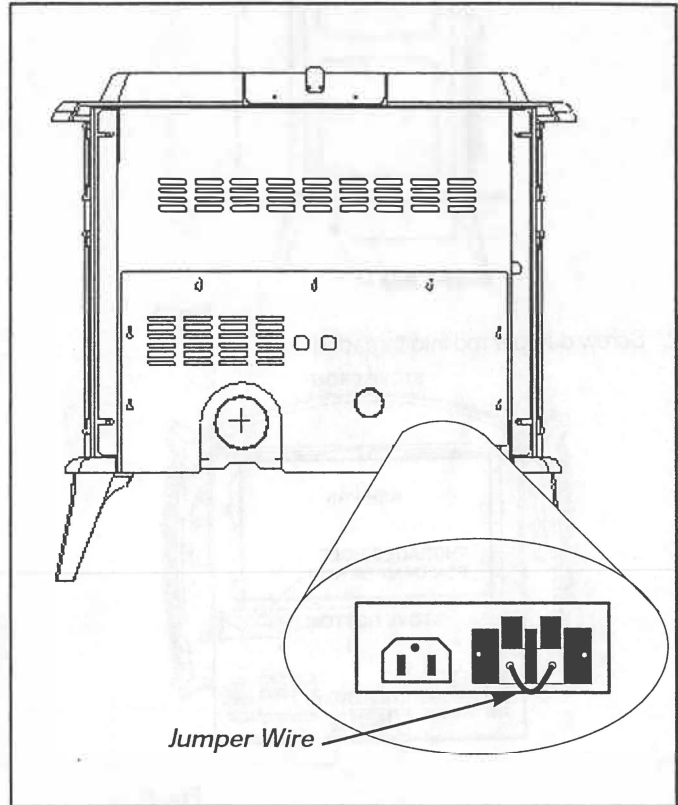
1. Remove panels from package.
2. Open the hopper lid on insert so it is out of the way for when panels are installed.
3. Install the control board onto the right side panel (with door) using the TEK screw (#8 x 1/2") provided.
4. Position the power cord so that it will be behind either the right or left side shroud panel when they are installed.
5. Install right side shroud panel onto right side of insert body by sliding the 2 flanges on side of panel into corresponding slots on insert.
6. Connect the wiring harness from insert into corresponding connector on control board.
7. Locate damper rod on left side of insert. Rotate angled arm of rod so it is pointing down. Remove damper knob and set aside.
8. Install the left-hand panel onto the left side of insert body by sliding the 2 flanges on side of panel into corresponding slots on insert.
9. Reach behind left shroud panel and rotate damper arm so that end is inserted into the upper right hand slot of left shroud panel (see illustration on page 9, bottom of left-hand column).
10. Reinstall damper knob by threading it onto end of damper rod.
11. Set the top shroud panel in place over the two side panels. Position the 2 tabs on bottom of top shroud panel so they slide into corresponding clips on insert. Connect the top shroud panel to the side panels by pressing pins from side panels into corresponding holes on top panel.
12. Remove the shroud trim from its packaging. Assemble it together using the corner keys ("L" shaped brackets) provided. Slide assembled trim over the top shroud panel and slide it down over the side panels.
13. Push insert back into place so the shroud is flush with the face of the hearth.

Thermostat Installation

NOTE: ALWAYS DISCONNECT POWER BEFORE PERFORMING THE THERMOSTAT INSTALLATION.



Profile Pellet Stove



Traditions Pellet Stove

To Install A Wall Thermostat:

1. A 24v thermostat is included with your stove accessories, along with a length of thermostat wire.
2. Unplug your stove from the wall outlet.
3. Locate the thermostat connection block on the back of the stove.
4. Remove the jumper wire from the "jacks" on the connection block.
5. Insert the two wires from your thermostat into the jacks (one per jack). Make sure the wires are firmly connected to the thermostat.
6. Plug in the stove and you are ready to operate with your thermostat!

NOTE: If the jumper wire is missing, and you do not have a thermostat installed, your stove will not operate. It is recommended that you consult your authorized dealer for thermostat installation information.

Stove Damper Controls

“Traditions” model P11 (Only) – Install Damper Rod Assembly (provided in accessory package). To install:

1. Locate rectangular cutout on bottom stove panel behind ash pan.

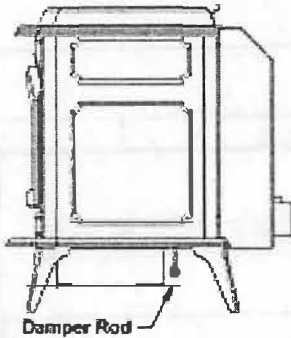


Fig. A

2. Screw damper rod into threaded hole.

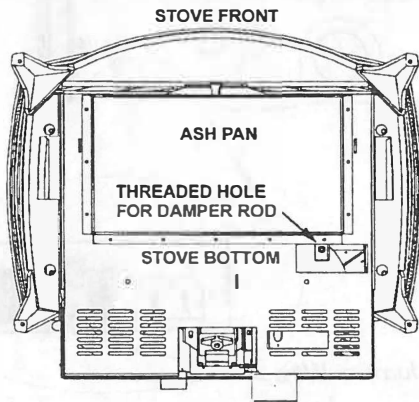
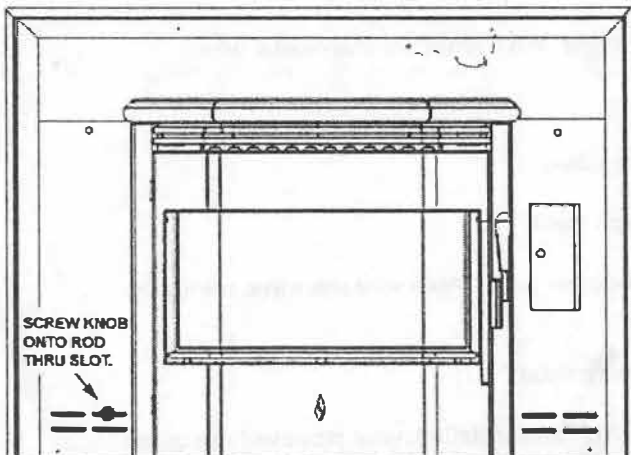


Fig. B

Profile 30 Insert (Only) – Install Damper Rod Knob as illustrated below and outlined on page 7 of this manual (See **Profile 30 Insert – Installing Shroud Assembly**).



Install Damper Knob During Shroud Installation (page 7)

Damper Operation – All models:

The damper is a plate that helps control the amount of airflow supplied for combustion. With the damper pushed all the way in the airflow is at its minimum. As the damper is pulled out, more air is allowed to flow.

It will be necessary to monitor the appearance of the flame during the first 4-8 bags of pellets. If your flame is smoky red/orange with evidence of soot at the top of the flame, you need more combustion air; pull the damper out one notch and re-evaluate the appearance of the flame. It may be necessary to continue this process, moving the damper one notch at a time until proper combustion is attained (the flame should become yellow and begin to “dance”). If the flame is “short” at the higher burn rates, or if the pellets are burning up in the grate before new pellets are fed into the fire, push the damper in one notch and monitor the flame. Continue the process of moving the damper one notch at a time and evaluating the flame until proper flame appearance is achieved.

Once the damper has been properly set it should not need adjusting unless you are changing from a premium grade pellet to a standard or high ash pellet, in which case the damper may need to be pulled out to help prevent the accumulation of ash in the grate.

Damper Adjustment Guideline

Lack of Combustion Air

Open damper more to increase combustion air delivery. Symptoms of insufficient combustion air include; unburned fuel, lazy smoky or red/orange flame, excessive ash or soot, excessive buildup on glass:

Contributing factors:

- A. High Altitude – Lack of oxygen
- B. Restrictive Venting (elbows, horizontal runs, cold external chimneys, etc.).
- C. Dirty/Poor Quality Fuel.

Excessive Combustion Air

Close damper more for less combustion air. Symptoms of excessive air include; fuel burns too quickly (results in smoking or smoldering pellets), white to yellow flame, etc.

Contributing factor:

- A. Venting system providing excessive draft.

Stove Damper Controls

Traditions P11

The damper rod is located under the bottom plate, on the right hand side of the stove, just behind the ash pan (see Fig. A). It is very important to setup your damper prior to burning your Traditions pellet stove, as it is likely to shift during shipment.

The damper plate on the Traditions contains nine notches spaced in 1/4" increments that aid in positioning (see Fig. C).

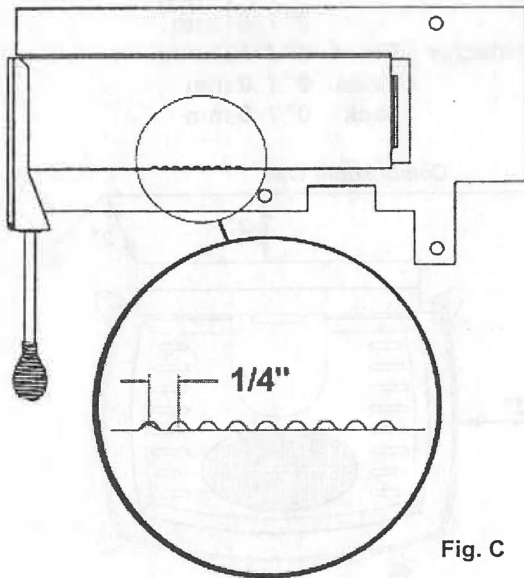


Fig. C

For initial setup, push the damper all the way in (when facing the front of the stove, in is to the left, and out is to the right) and slowly pull back three notches (see Fig. D).

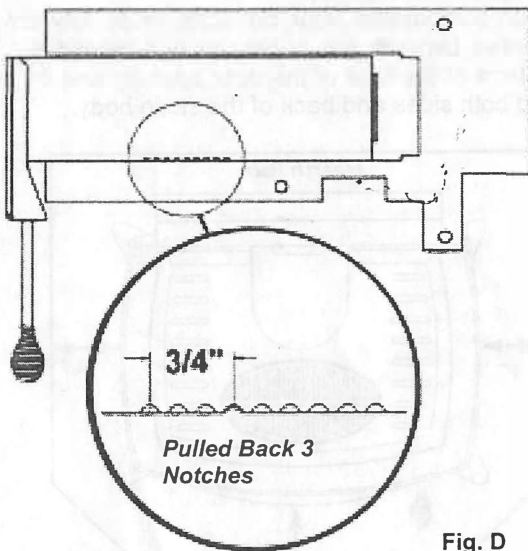


Fig. D

This setting should provide an adequate air to fuel ratio for most installations.

Profile 20 and Profile 30 Freestanding and Profile 30 Insert

The damper rod is located behind the right-hand side panel of the Profile-20 freestanding and behind the left-hand side panel of the Profile-30 freestanding and on the left surround panel of the Profile-30 Insert. It is very important to setup your damper prior to burning your Profile series pellet stove, as it is likely to shift during shipment.

The damper plate on the Profile contains nine notches spaced in 1/8" increments that aid in positioning (see figures E & F).

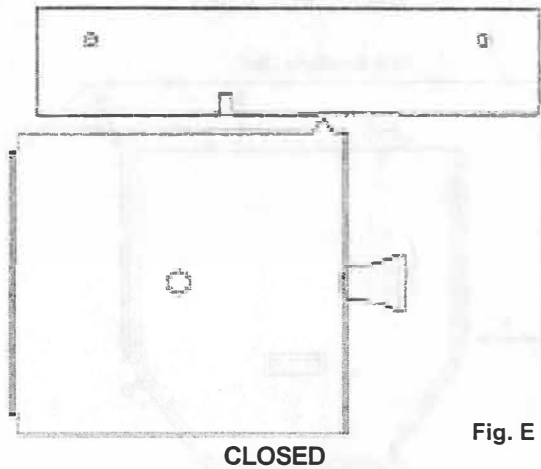


Fig. E

For initial setup, push the damper all the way in (when facing the front of the stove, in is to the center of the stove, and out is away from the center of the stove) and slowly pull back three to four notches (see figure E). This setting should provide an adequate air to fuel ratio for most installations.

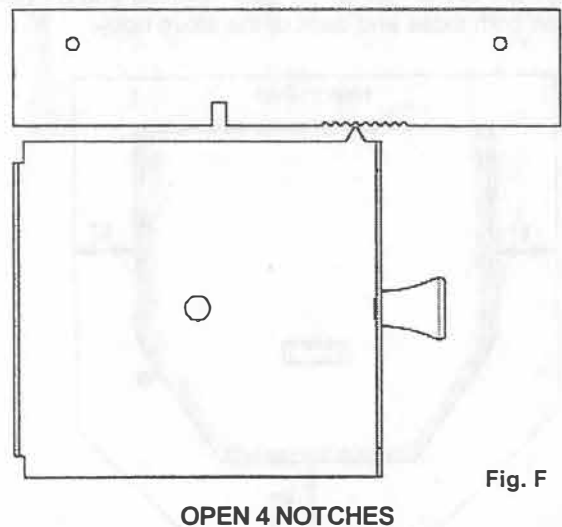


Fig. F

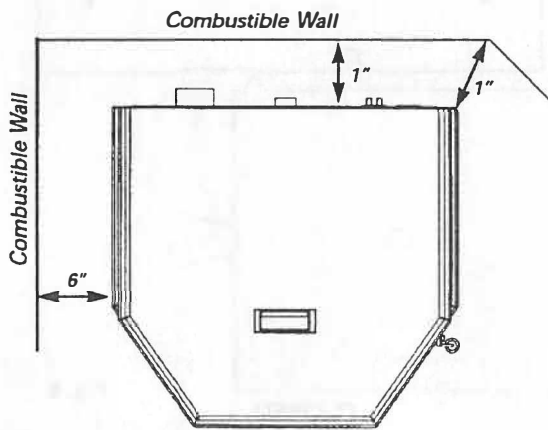
Stove Installation Configurations

Clearances

Models Profile 20-Freestanding & Profile 30-Freestanding - Standard Residential or Manufactured (Mobile Home Installation. These appliances require the following minimum clearances to combustibles:

Stove Clearances to Combustibles (inches).

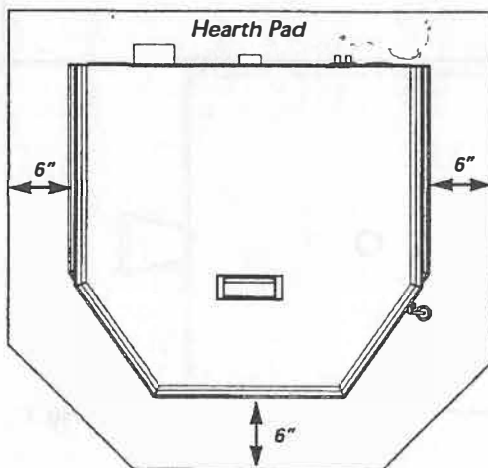
	inch / millimeter
Back Wall	1" / 26mm
Side Wall	6" / 153 mm
Corner	1" / 26 mm
Floor Protector – Front	6" / 153 mm
Sides	0" / 0 mm
Back	0" / 0 mm



Floor Protection

If placing stove on a combustible surface, the following requirements must be met:

A non-combustible floor protector must fully cover the area beneath the appliance and extend 6 " to the front of the face of the door opening and 0 " beyond both sides and back of the stove body.

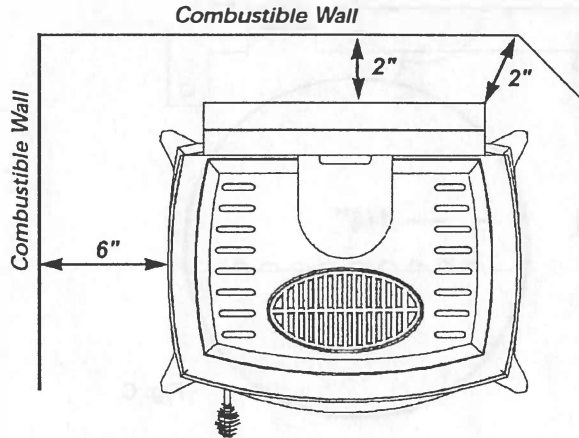


Clearances

Model Traditions P11 - Freestanding - Standard Residential or Manufactured (Mobile Home Installation. These appliances require the following minimum clearances to combustibles:

Stove Clearances to Combustibles (inches).

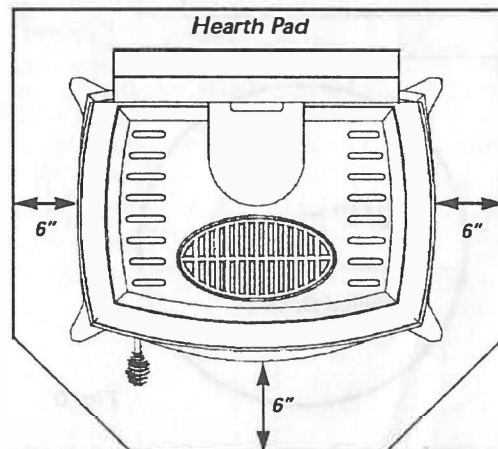
	inch / millimeter
Back Wall	2" / 51mm
Side Wall	6" / 153 mm
Corner	2" / 51 mm
Floor Protector – Front	6" / 153 mm
Sides	0" / 0 mm
Back	0" / 0 mm



Floor Protection

If placing stove on a combustible surface, the following requirements must be met:

A non-combustible floor protector must fully cover the area beneath the appliance and extend 6 " to the front of the face of the door opening and 0 " beyond both sides and back of the stove body.



Profile 30 Insert Installation Configuration

Masonry and Zero Clearance Fireplaces

The model Profile 30-insert is approved for installation into a solid fuel burning fireplace, either a masonry fireplace or an approved factory-built (zero clearance) fireplace. This stove must be connected to 3"/75mm or 4"/100mm pipe, using a listed solid fuel, single wall, flex or rigid pipe (24 gage stainless steel) as a liner is recommended.

Dimensions Into a Fireplace

Height	20 1/8" / 512 mm
Width	24 3/8" / 620 mm
Depth	13 1/2" / 343 mm

CAUTION: The fireplace in which the Profile 30-Insert is to be installed must be thoroughly cleaned if it has been used to burn wood or synthetic logs. Have the chimney and all inside surfaces of the fireplace brushed and vacuumed so that no soot, embers, or loose combustion deposits can be drawn into the heat circulation blower and blown into the living area. If any portion of the chimney system shows signs of structural or mechanical weaknesses, such as: cracks, leaky joints, corroded or warped surfaces, the faulty portion must be repaired or replaced prior to installing this appliance.

IMPORTANT: When installation the Profile 30-insert into a factory built fireplace, the firebox must accept the insert without modification other than removing bolted or screwed together pieces such as smoke shelf/deflectors, ash lips, screen or door tracks and damper assemblies, that must be reinstalled to restore the fireplace to its original operating condition if the insert is removed and not replaced. The removal of any part must not alter the integrity of the outer shell of the pre-engineered fireplace cabinet in any way.

Floor Protection

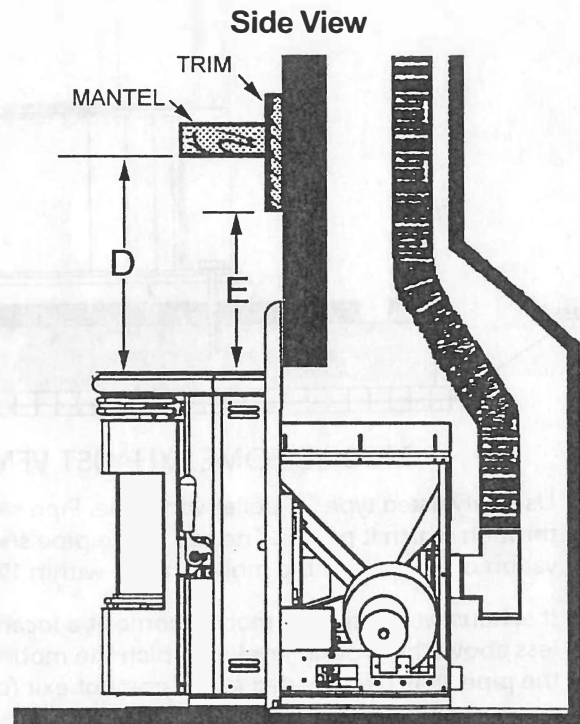
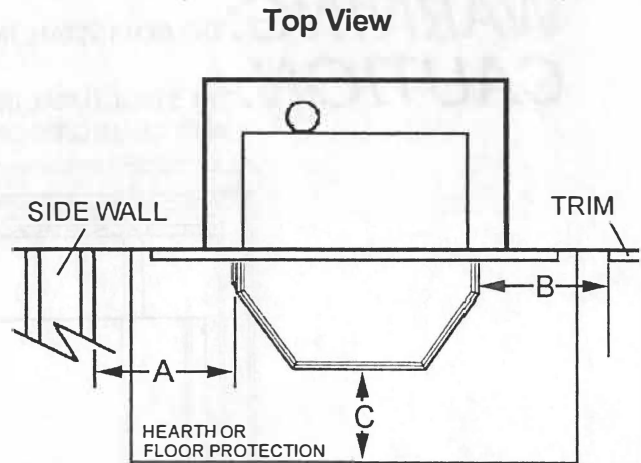
The area directly in front of the insert must be protected by a noncombustible material or a fireplace hearth or hearth extension as follows:

Combustible floor must be protected by non-combustible material in Canada and 10 millimeter (3/8 inches) millboard or equivalent non-combustible in U.S. extending beneath the heater and to the front and sides as indicated or to the nearest permitted combustible material.

The protected area must extend 6" to the front of the face of the stove and 6" beyond both sides.

Minimum Clearances to Combustibles

	inches/millimeters
A - Insert to side wall	6" / 153 mm
B - Insert to side trim	1" / 26 mm
C - Hearth extension	6" / 153 mm
D - Insert to mantel	18" / 458 mm
E - Insert to top trim	1" / 26 mm



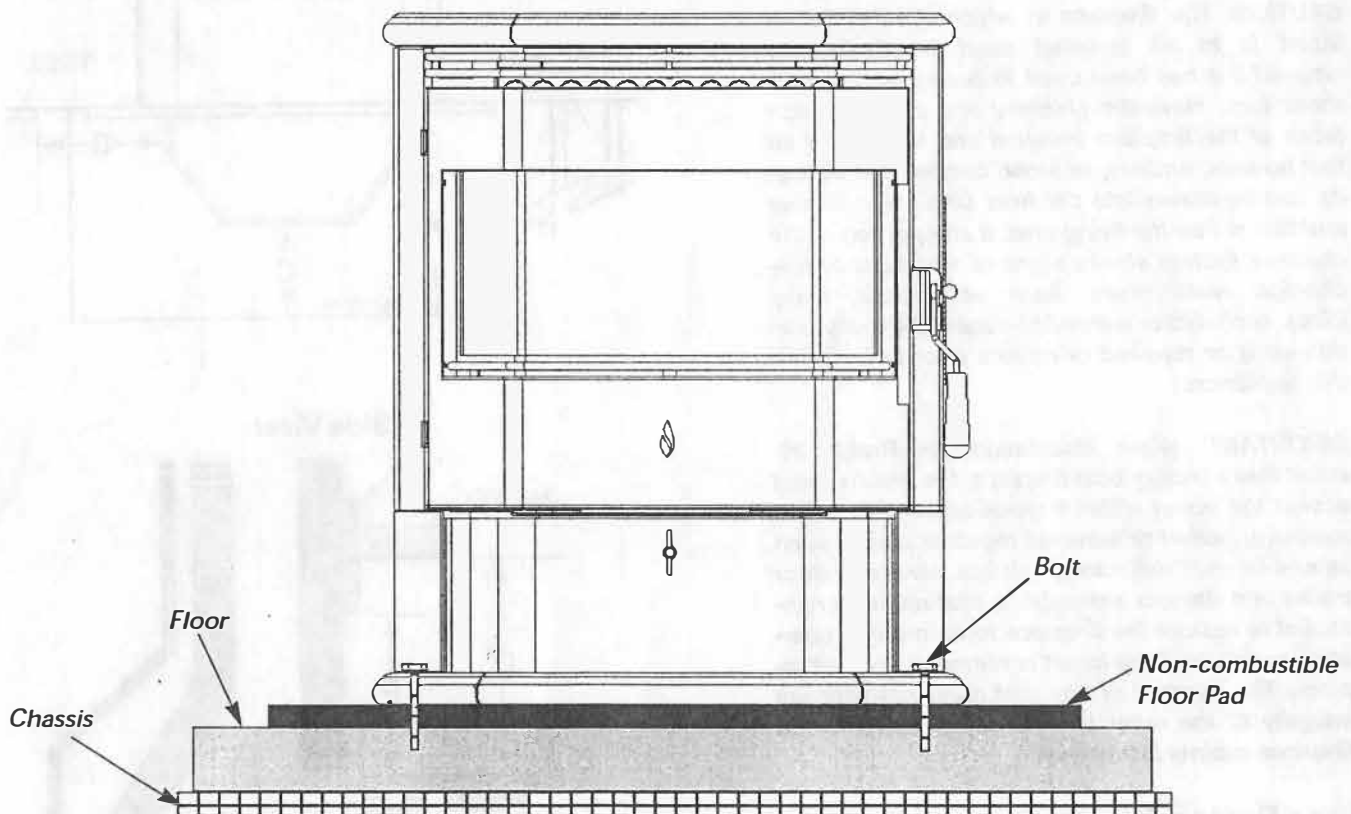
Mobile Home Installation Models - Profile 20 & 30 - Freestanding

IN ADDITION TO THE STANDARD INSTALLATION INSTRUCTIONS, THE FOLLOWING INSTRUCTIONS MAY BE REQUIRED BY LOCAL, STATE OR FEDERAL BUILDING CODES:

- Stove must be permanently bolted to the floor.
- Stove must have a permanent outside air source.
- Stove must be permanently electrically grounded to the steel chassis of the home. The location selected for ground attachment to the stove must be dedicated for this purpose.
- Refer to page 17 for list of commonly used vent components.
- NOTE: THE GROUNDING OF THIS PRODUCT, AT INSTALLATION, MUST COMPLY WITH NFPA-70 STANDARDS, CSA C22.1 IN CANADA, AS WELL AS ANY LOCAL CODES.

WARNING: DO NOT INSTALL IN A SPACE USED AS A BEDROOM.

CAUTION: THE STRUCTURAL INTEGRITY OF THE MANUFACTURED HOME FLOOR, WALL AND CEILING/ROOF MUST BE MAINTAINED.



MOBILE HOME EXHAUST VENT PIPE INSTALLATION GUIDELINES

Use only listed type "L" pellet vent pipe. Pipe should extend at least 3 feet above the part of the roof through which it passes. The top of the pipe should be at least 2 feet above the highest required elevation of any part of the mobile home within 10 feet of the pipe.

If exhaust vent exits the mobile home at a location other than the roof, and exits at a point 7 feet or less above the ground level on which the mobile home is positioned a guard or method of enclosing the pipe shall be provided at the point of exit for a height of up to 7 feet. The openings, if any, in this guard shall not allow a 3/4" rod to pass through. A 1/2" rod could pass through but should not be able to touch the pipe when inserted through the opening a distance of 4 inches.

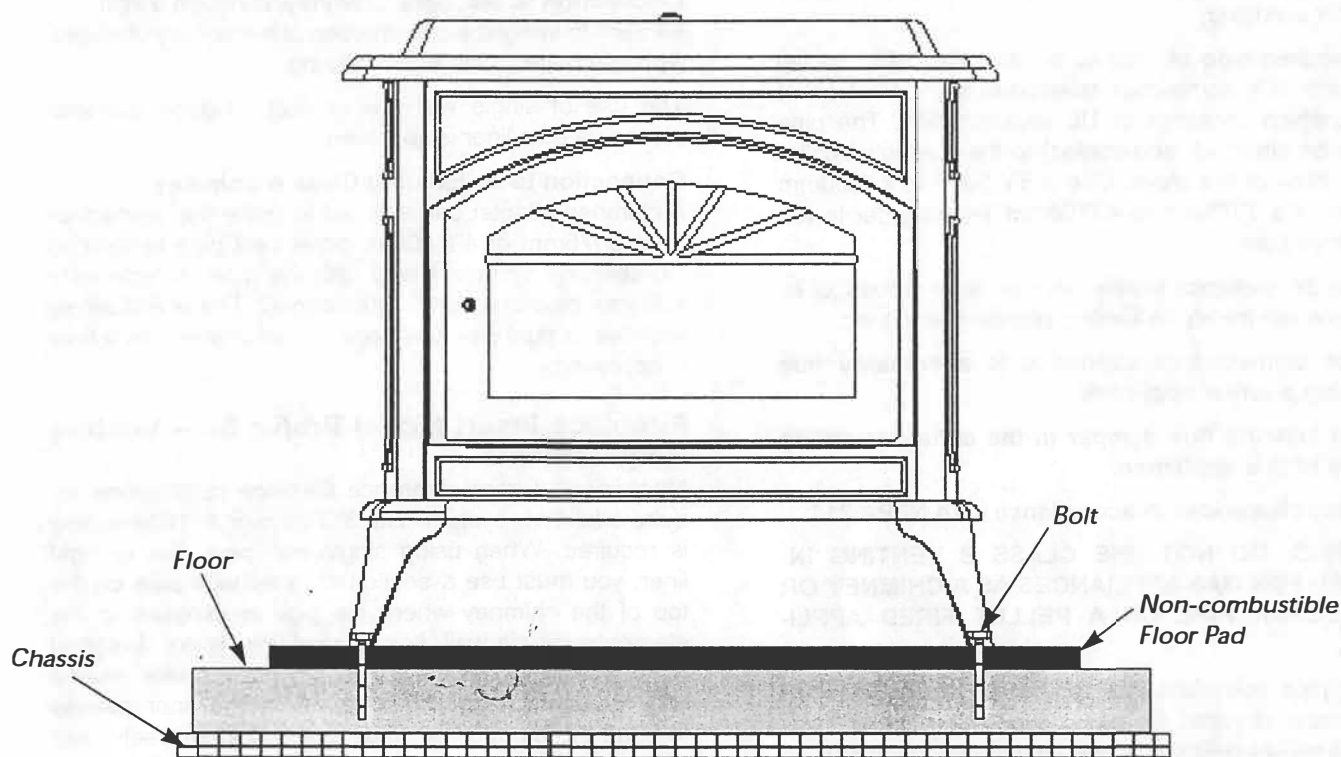
Mobile Home Installation Model Traditions P11 - Freestanding

IN ADDITION TO THE STANDARD INSTALLATION INSTRUCTIONS, THE FOLLOWING INSTRUCTIONS MAY BE REQUIRED BY LOCAL, STATE OR FEDERAL BUILDING CODES:

- Stove must be permanently bolted to the floor.
- Stove must have a permanent outside air source.
- Stove must be permanently electrically grounded to the steel chassis of the home. The location selected for ground attachment to the stove must be dedicated for this purpose.
- Refer to page 17 for list of commonly used vent components.
- NOTE: THE GROUNDING OF THIS PRODUCT, AT INSTALLATION, MUST COMPLY WITH NFPA-70 STANDARDS, CSA C22.1 IN CANADA, AS WELL AS ANY LOCAL CODES.

WARNING: DO NOT INSTALL IN A SPACE USED AS A BEDROOM.

CAUTION: THE STRUCTURAL INTEGRITY OF THE MANUFACTURED HOME FLOOR, WALL AND CEILING/ROOF MUST BE MAINTAINED.



MOBILE HOME EXHAUST VENT PIPE INSTALLATION GUIDELINES

Use only listed type "L" pellet vent pipe. Pipe should extend at least 3 feet above the part of the roof through which it passes. The top of the pipe should be at least 2 feet above the highest required elevation of any part of the mobile home within 10 feet of the pipe.

If exhaust vent exits the mobile home at a location other than the roof, and exits at a point 7 feet or less above the ground level on which the mobile home is positioned a guard or method of enclosing the pipe shall be provided at the point of exit for a height of up to 7 feet. The openings, if any, in this guard shall not allow a 3/4" rod to pass through. A 1/2" rod could pass through but should not be able to touch the pipe when inserted through the opening a distance of 4 inches.

Venting Requirements

All Clearances and Instructions Listed By Vent Manufacturer Must Be Followed.

IT IS RECOMMENDED THAT ONLY AN AUTHORIZED DEALER INSTALL YOUR PELLET STOVE. THE FOLLOWING INSTALLATION REQUIREMENTS MUST BE FOLLOWED TO ENSURE CONFORMITY WITH BOTH THE SAFETY LISTING OF THE APPLIANCE AND LOCAL BUILDING CODES.

Freestanding Models - Pipe and Venting

There are several options for installing and venting of these pellet appliances. Refer to clearances before installing your stove.

The Whitfield and Tradition brand pellet appliances are approved for use with the following vent sizes; Approved Sizes: 3"/75mm (standard) or 4"/100mm. See page 17 - for determining correct size vent.

The most desirable installation is to install a "Tee" on the back of the stove and installing pipe up through the ceiling, then terminating above the roofline. Position the appliance far enough away from walls to allow adequate room for servicing.

The required type of pipe is a listed type "PL" (pellet vent pipe. It is sometimes referred to as "L-Vent pellet vent"), which conforms to UL standard 641. The pipe should be attached (and sealed) to the flue outlet collar on the back of the stove. Use a 3"/75mm to 4"/100mm adapter or a 3"/75mm to 4"/100mm Tee in order to run 4"/100mm pipe.

Choose the appliance location with the least amount of interference with the house framing, plumbing, wiring, etc.

Do not connect this appliance to a chimney flue servicing another appliance.

Do not install a flue damper in the exhaust venting system of this appliance.

Maintain clearances in accordance with NFPA 211.

WARNING: DO NOT USE CLASS B VENTING INTENDED FOR GAS APPLIANCES AS A CHIMNEY OR CONNECTOR PIPE ON A PELLET FIRED APPLIANCE.

Follow pipe manufacturers installation instructions for precautions required for passing pipe through a combustible wall or ceiling (i.e. use an approved thimble).

Connect the pellet vent pipe or the "Tee" to the flue collar using a minimum of three screws. Use an RTV silicone with a rating of at least 570° F (969° C), or Interam to provide a complete seal at the flue collar and on all joints.

Total Offsets in venting system should not exceed 270° total in direction change.

Horizontal Run Allowed: Maximum total is not to exceed 10 feet (3.1 meters).

Horizontal run of pipe should have 1/4" (7 mm) rise per foot.

Ninety-degree elbows accumulate fly ash and soot which reduces the exhaust flow and performance of the stove. Horizontal runs of pipe will collect fly ash as well. It is recommended that a single or double clean-out "tee" be installed at every 90-degree turn. Installation of a clean-out tee is recommended to permit periodic cleaning of both the horizontal and vertical runs of pipe.

Pellet vent pipe requires 3"/75mm clearance from outside of pipe (all diameters: 3"/75mm & 4"/100mm).

A support bracket must be installed every 4'/1.2m of pellet vent pipe on the exterior.

Connection to Masonry Chimney Through a Wall

Be sure to verify the construction of a masonry chimney, as many have combustible framing.

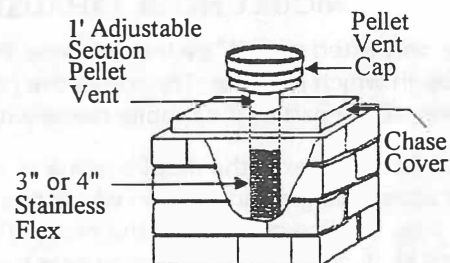
The use of single wall flex or rigid 24-gage stainless steel pipe as a liner is approved.

Connection to an Existing Class A Chimney

A chimney adapter can be used to make the connection from 3"/75mm or 4"/100mm pellet vent pipe to existing UL chimney system. Verify with the pipe manufacturer that your pipe brands will interconnect. The use of single wall flex or rigid pipe (24 gage stainless steel) as a liner is approved.

Fireplace Insert Model Profile 30 – Venting Requirements

Masonry and zero clearance fireplace installations require a full liner system. The 3"/75mm or 4"/100mm pipe is required. When using single wall pipe, flex or rigid liner, you must use a section of pellet vent pipe on the top of the chimney where the pipe is exposed to the elements. Single wall, flex, or rigid liner is not designed for exposure to the elements. Do not insulate around liner or use a seal off plate where the liner passes through the damper (Air must communicate freely, with chimney area).



All pipe joints must be sealed. Use an RTV silicone with a rating of at least 570° F (969° C), or Interam to provide a complete seal at the flue collar and on all joints.

Venting Termination Requirements

Vent Termination

Do not terminate vent in an enclosed or semi-enclosed area such as: carports, garage, attic, crawl space, under a deck, porch, narrow walkway, closely fenced area, or any location that can build up a concentration of fumes such as a stairwell, covered breezeway etc.

Vent surfaces can get hot enough to cause burns if touched. Adults should supervise children when they are in the area of a hot stove. Non-combustible shielding or guards may be required.

Direct-Vent Installations: On all direct-vent installations (short, horizontal runs with no vertical pipe); care should be taken when choosing a location for terminating the vent. It is not recommended to directly vent the exhaust on the prevailing wind side of the house. It is recommended that when an appliance is vented directly through a wall, a minimum of 8' (2 ½ meters) of vertical pipe should be installed to create some natural draft. This will prevent the possibility of smoke or odor entering the dwelling during appliance shutdown or loss of power. It will also help to keep exhaust from causing a nuisance or hazard and exposing people or shrubs to high temperatures. In any case, the safest and preferred venting method is to extend the vent through the roof.

Termination Cap: The termination of the outside chimney of the pellet stove shall be located in accordance with the following:

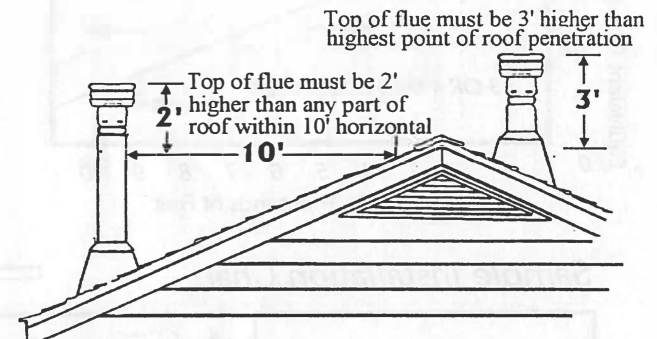
- A. Higher than 3'/915mm above any forced air inlet (air conditioner, etc.) located within 10'/3049mm.
- B. Not less than 4'/1220mm below, 4'/1220mm horizontally from or 1'/305mm above any gravity air inlet (door, window, etc.) which flue gases could re-enter the dwelling.
- C. Not less than 2'/610mm from combustible materials such as an adjacent buildings, fences, protruding parts of the structure, roof overhang, plants and shrubs, etc. and not less than 7'/2134mm above grade when located adjacent to the public sidewalks (access). The final termination of the exhaust system must be configured so that flue gases do not jeopardize the safety of people passing by, overheat combustible portions of nearby structures or enter the dwelling.
- D. Not less than 3'/915mm below an eave (maximum overhang of 3'/915mm) or any construction that projects more than 2'/51mm from the plane of the wall.

- E. The distance from the bottom of termination and grade – 12"/305mm minimum. This is conditional upon plants and nature of grade surface: The exhaust gases are not hot enough to ignite grass, plants and shrubs located in the vicinity of the termination although they should be a minimum of 3'/915mm away. The grade surface must not be a lawn.
- F. Since sparks may escape from the exhaust pipe of any stove, always use caution when positioning the vent pipe refer to pipe manufacturer's instructions when installing and terminating the exhaust.) The vent pipe should be horizontal and never run the pipe in a downward direction (recommend a ¼"/7mm rise per foot horizontal).

Chimney Height Requirements

The chimney must extend 3'/915mm above the level of roof penetration and a minimum of 2'/610mm higher than any roof surface within 10'/3049mm feet (see below). Check with your local building officials for additional requirements for your area.

Due to prevailing winds, local terrain, adjacent tall trees, a hill or ravine near the home, or adjacent structures, a special chimney cap may be required to ensure optimum performance.



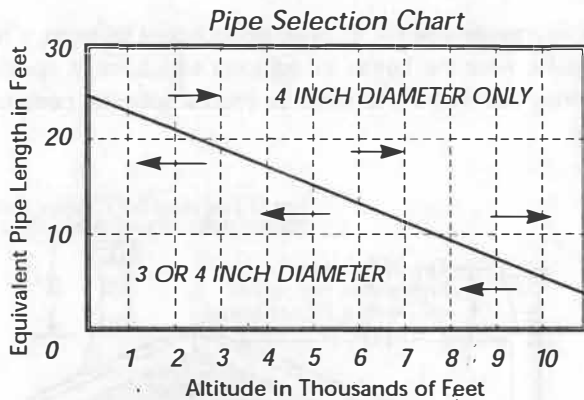
To pass inspection in nearly any jurisdiction, the chimney must meet both safety and exhaust flow requirements. The (3' by) 2' by 10' rule applies to both masonry and factory built chimneys.

Determining Equivalent Pipe Length

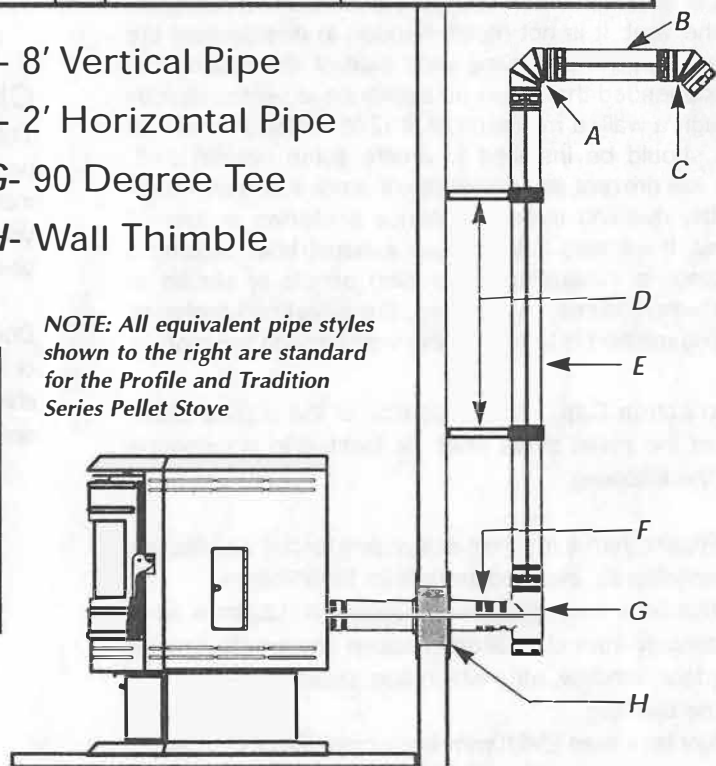
To determine whether a 3" or 4" exhaust system is required for your installation, review the sample installation below. Fill out the top chart, and calculate your total equivalent pipe length. After you have the total equivalent pipe length, use the chart at the bottom of the page to determine if your installation requires 3" or 4" exhaust pipe.

Type of Pipe	# of Elbows or Feet of pipe		Equivalent Feet	Total Equivalent Feet
90°	Elbows	x	5(1.5m)	
45°	Elbows	x	3(1m)	
Horizontal	Pipe	x	1(.3m)	
Vertical	Pipe	x	.5(.15m)	

- A- 90 Deg. Elbow
- B- 1' Horizontal Pipe
- C- 45 Degree Elbow
- D- Standoff Braces
- E- 8' Vertical Pipe
- F- 2' Horizontal Pipe
- G- 90 Degree Tee
- H- Wall Thimble



NOTE: All equivalent pipe styles shown to the right are standard for the Profile and Tradition Series Pellet Stove



Sample Installation Chart

Type of Pipe	# of Elbows or Feet of pipe		Equivalent Feet	Total Equivalent Feet
90° Elbows/Tee (A & G)	2	x	5 ft. (1.5m)	10 (3m)
45° Elbows (C)	1	x	3 ft. (1m)	3 (1m)
Horizontal Pipe (B&F)	3	x	1 ft. (.3m)	3 (1m)
Vertical Pipe (E)	8	x	.5 ft. (.15m)	4 (1.2m)

TOTAL: 20

Installing Your Freestanding Pellet Stove

STANDARD HORIZONTAL EXHAUST INSTALLATION

1. Locate the proper position for the listed type "L" wall thimble. Avoid cutting wall studs when installing your pipe. Use a saber saw or key hole saw to cut the proper diameter hole through the wall to accommodate the wall thimble. Use extreme caution to avoid cutting into power lines within the wall of the home. The hole size will depend on the brand of pellet vent that you are using. Install the wall thimble in the hole.

ALL INTERLOCKING PIPE CONNECTIONS WITHIN THE ROOM MUST BE SEALED WITH RTV AND SECURED WITH A MINIMUM OF 3 FASTENERS PER CONNECTION.

2. Position the stove approximately 12" (.3m) from the wall on the floor pad. Push listed type "L" pipe through wall thimble. Squeeze a bead of high temperature silicone (RTV) sealer around the end of the machined portion of the 3" (76mm) pipe connector on the back of the stove. Firmly push on a section of listed type "L" pipe until inner pipe liner pushes into the bead of RTV sealer.

3. Push the stove (with pipe attached) towards wall. Pipe will go through the wall thimble. Do not position the back of the stove closer than 1" (25mm) from the wall.

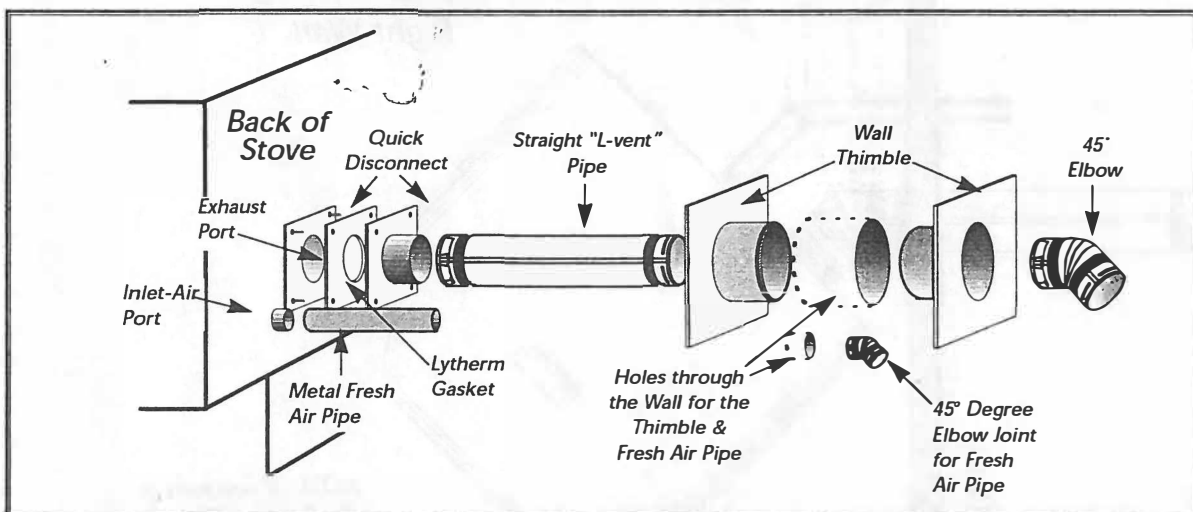
Note: Greater back clearance will improve the serviceability of the stove.

4. Install listed type "L" 45 degree elbow with rodent screen or cap (optional) on outside end of pipe. The rodent screen should be no less than 1/2" (13mm) mesh and may clog with soot and ash if left unattended during the burn season.

NOTE: The end of the exhaust pipe must extend a minimum of 12" (.3m) from the outside of the building.

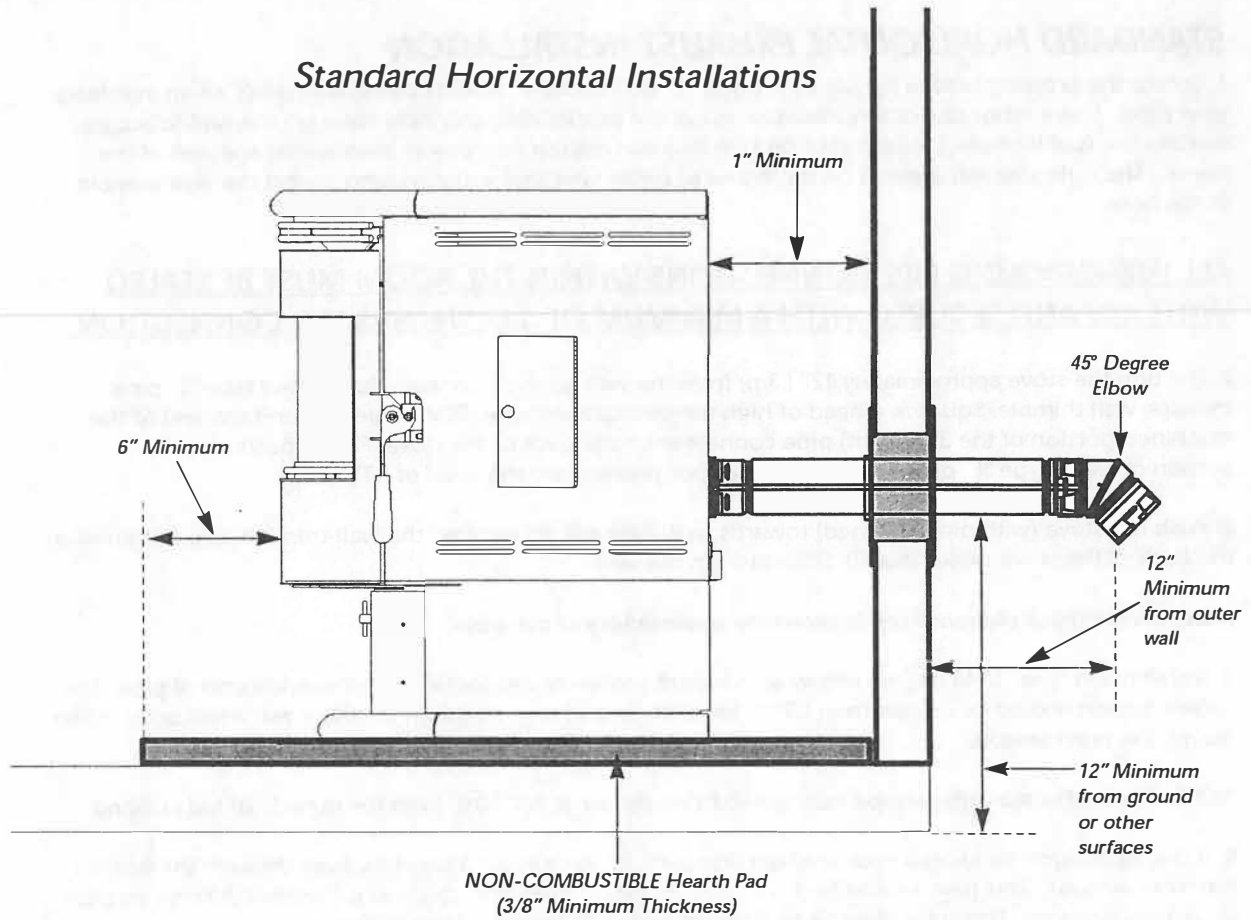
5. If the installation includes a source of outside combustion air; cut a separate hole through the wall for the fresh air tube. This tube should be 1-5/8" (42mm) [min.] diameter, steel only. Connect outside air pipe to air inlet on stove. This tube must be terminated with a 90 degree elbow or hood.

NOTE: AIR MAY ALSO BE DRAWN FROM A VENTED CRAWL SPACE UNDER THE HOME. ALL JOINTS FOR CONNECTOR PIPE SHALL BE REQUIRED TO BE FASTENED WITH AT LEAST THREE SCREWS. IF VENTED HORIZONTALLY, JOINTS SHALL BE MADE GASTIGHT IN A MANNER AS SPECIFIED ABOVE. INSTALL VENT AT CLEARANCES SPECIFIED BY THE VENT MANUFACTURER.

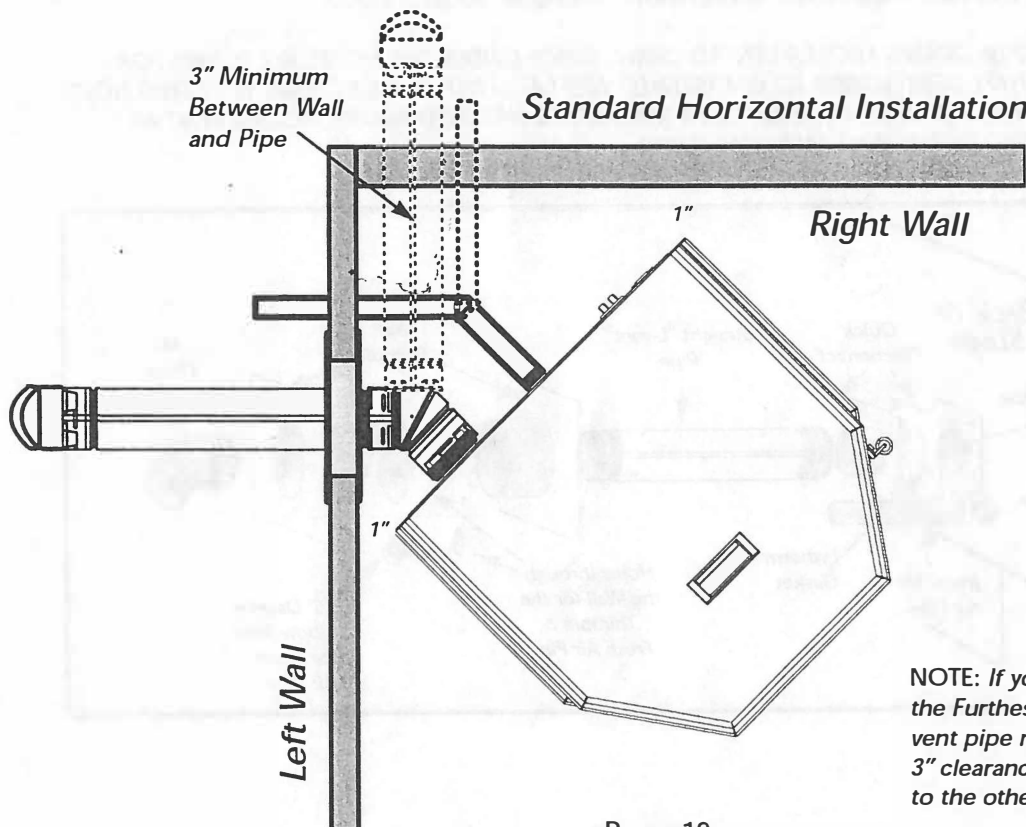


Installation Configurations Models - Profile 20 & 30 - Freestanding

Standard Horizontal Installations



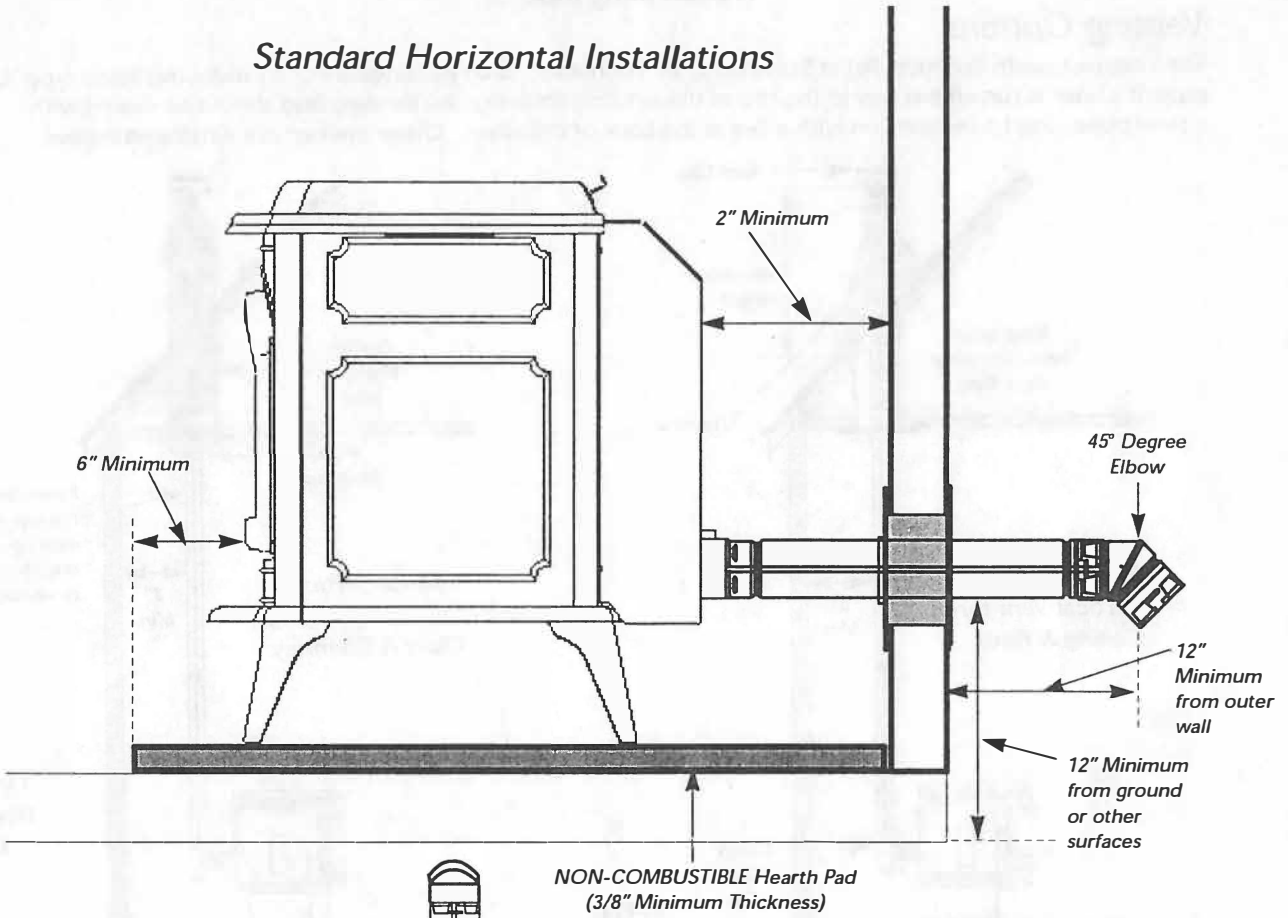
Standard Horizontal Installations



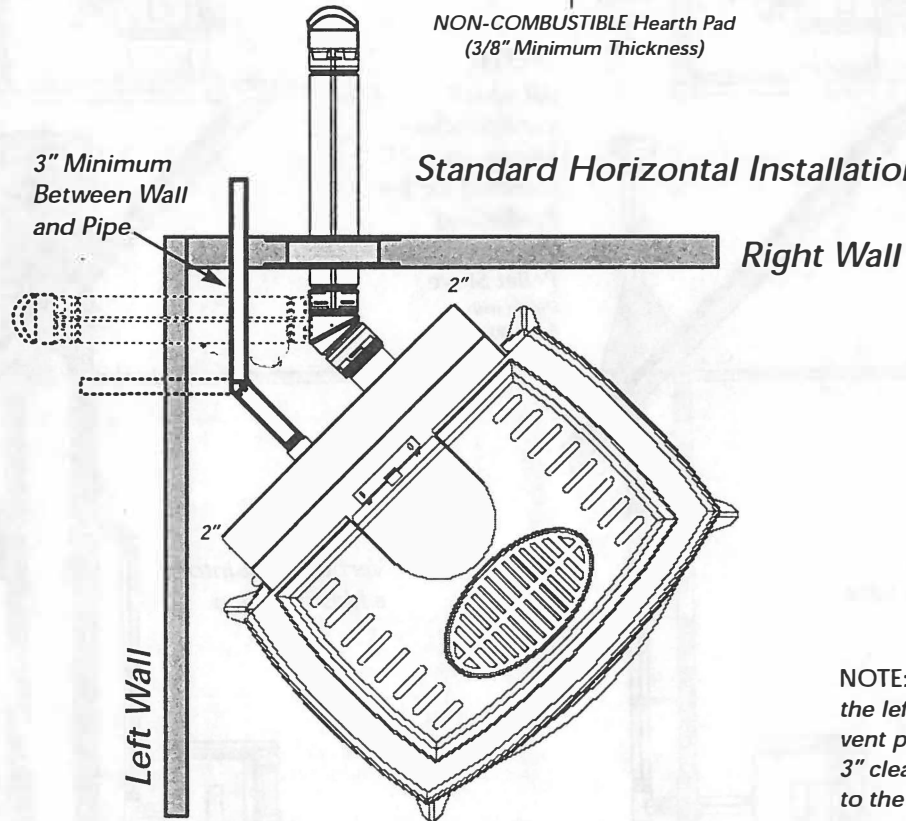
NOTE: If you vent to the Furthest Wall, the vent pipe must maintain a 3" clearance parallel to the other wall.

Installation Configurations Model -Traditions P11 - Freestanding

Standard Horizontal Installations



Standard Horizontal Installations



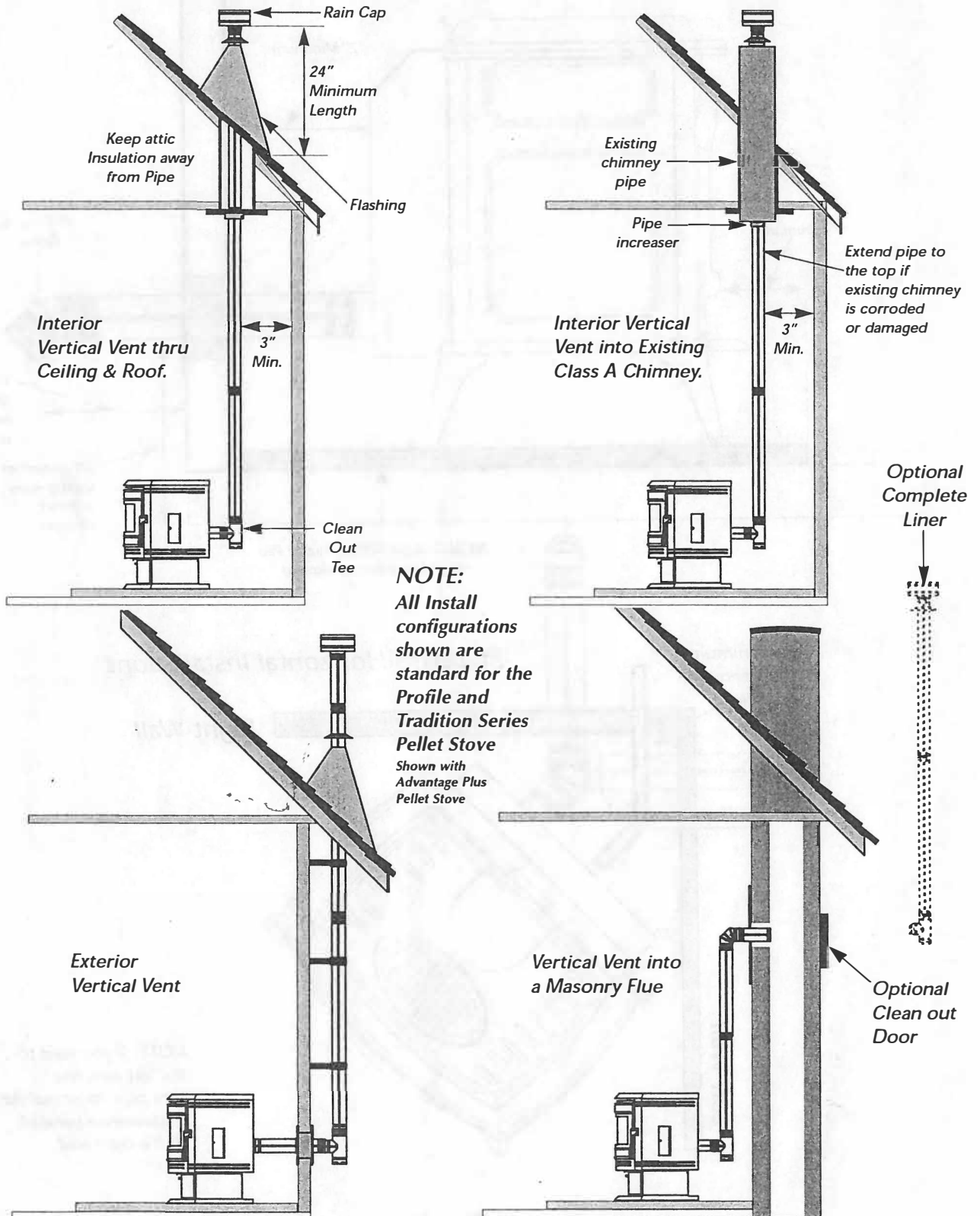
NOTE: If you vent to the left wall, the vent pipe must maintain a 3" clearance parallel to the right wall.

Installation Configurations (Cont'd)

Freestanding Models

Venting Options

The Lennox Hearth Products Pellet Stoves may be connected to an existing flue or by installing listed type "L" vent pipe. If a liner is run all the way to the top of the existing chimney, the existing flue should be sealed with a steel plate. Start a vertical run with a Tee at the back of the stove. Other options are illustrated below.



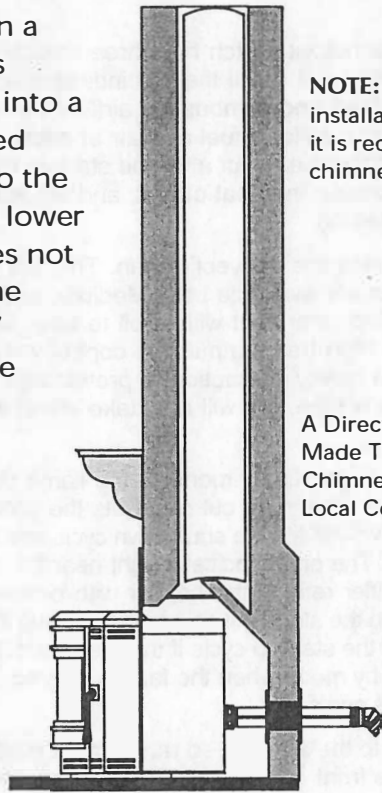
Installing Your Insert Pellet Stove

Model: Profile 30-Insert: VENTING INTO AN EXISTING CHIMNEY

The Profile Insert may be installed in a masonry or factory built fireplace as shown to the right. When installing into a masonry chimney, it is recommended that the exhaust vent be extended to the top of the chimney as shown to the lower right. However, if the vent pipe does not extend to the top of the chimney, the pipe must extend a minimum of 18" above the damper. You must seal the damper area with a steel plate.

IMPORTANT NOTE!!

MAKE SURE THE CHIMNEY AND FIREBOX ARE CLEAN AND FREE OF SOOT AND ASHES BEFORE INSTALLATION BEGINS. FAILURE TO DO SO MAY RESULT IN THE TRANSFER OF SOOT INTO THE ROOM BY WAY OF THE CONVECTION FAN.

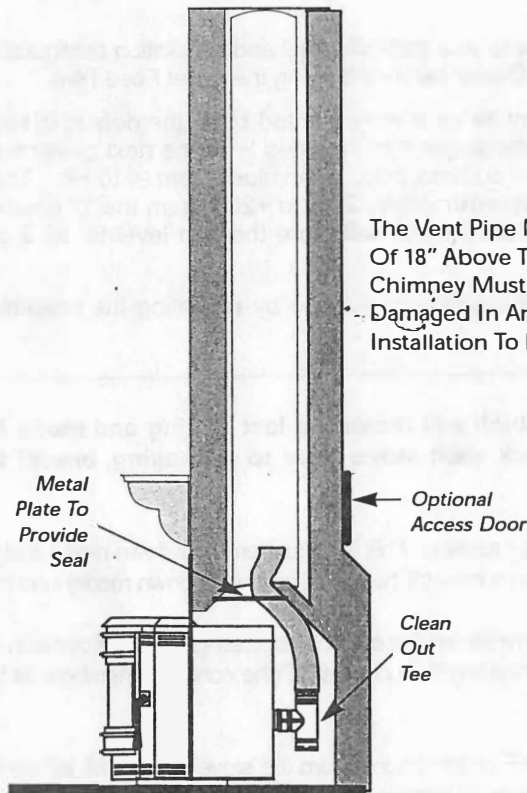


NOTE: For insert installation in Canada it is required that the chimney be fully lined.

A Direct Vent May Be Made Through The Chimney Structure If Local Codes Permit.

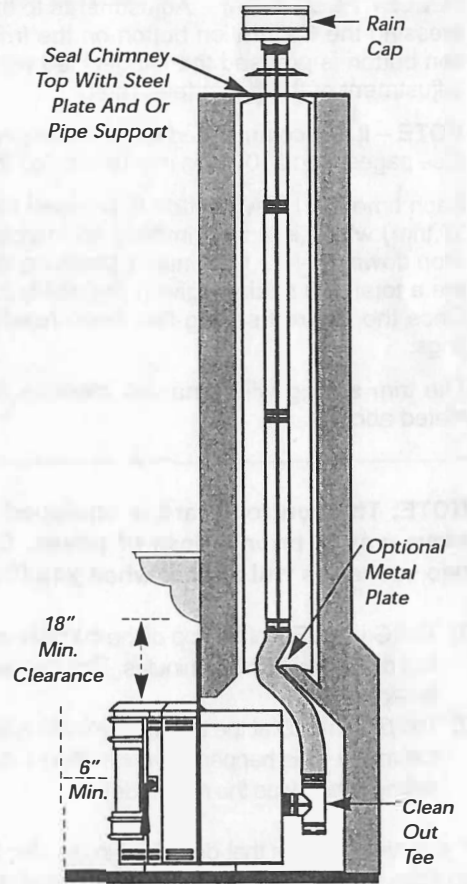
"Direct Vent"

Seal Chimney Top With Steel Plate And Or Pipe Support
Rain Cap



The Vent Pipe Must Extend A Minimum Of 18" Above The Damper. The Chimney Must Not Be Corroded Or Damaged In Any Way For This Type Of Installation To Be Permitted.

"Direct Connection"
(Not Allowed In Canada)



"Full Chimney Reline"
Recommended for ALL Chimney installations

Stove Operating Controls

STOVE ON/OFF SWITCH – This switch will turn your stove on or off while in Manual or Automatic mode (See page 24 for details). The green on/off light at the top of control will indicate the on/off status.

HEAT OUTPUT SWITCH – The heat output switch has three selection settings, Low, Medium and High. Pressing the switch will scroll the red indicator lights from Low to High. The switch controls the pellet feed and combustion airflow simultaneously. The control is preset to provide the optimum ratio of fuel and air at each setting. Settings can be changed at any time but will only take affect after the start-up cycle is complete. Each press of the heat button will increase the heat output, and will scroll to the lowest setting after reaching the maximum setting.

BLOWER – The blower switch operates the convection fan. This will change the flow of hot air into the room. Three choices are available Low, Medium, and High. When the blower button is pressed the yellow indicator light will scroll to Low, Medium, or High. **NOTE:** When running your stove on High heat output, the control will not allow you to select the low blower speed. This is a safety precaution to protect against overheating. Blower settings can be changed at any time, but will only take affect after the start-up cycle is complete.

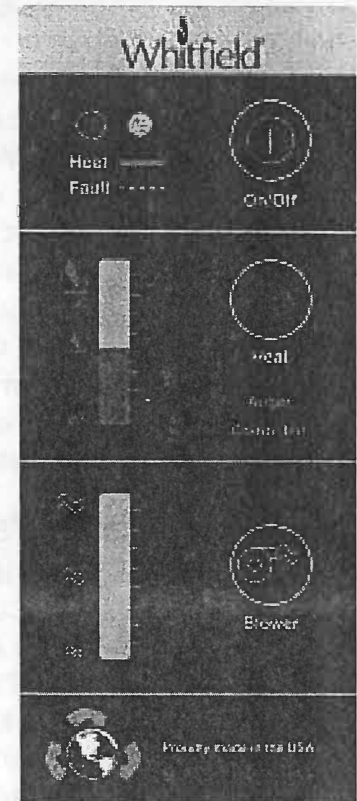
FAULT MODE – The control system automatically monitors the flame using a photo eye located near the pellet feed tube. If the stove runs out of pellets the control automatically goes into a “fault” status. The controls will initiate the shut down cycle and safely shut down the stove leaving it in the “fault” mode. The on/off indicator light near the top of the control will flash rapidly when in this mode. After refilling the hopper with pellets, press the start button. If a thermostat is not being used the stove will go into the start-up cycle. If a thermostat is being used the stove will go into the start-up cycle if the thermostat is in the demand mode. If the thermostat is in the stand-by mode when the fault is cleared, the stove will remain in the stand-by mode until it closes again.

PELLET FEED TRIM – Adjustments to the auger feed rate can be made at anytime by pressing the Calibration button on the front of the control panel (located behind the swing down door). Once the calibration button is pressed the “Auger” led will illuminate. Once in the Fuel Trim Mode the HEAT button is used to select the adjustment of the pellet feed rate.

NOTE – It is recommended that the damper be used to fine-tune your stove to your particular fuel and installation configuration, (see pages 9 and 10). It is recommended that you contact your Authorized Dealer before adjusting the Pellet Feed Trim.

Each time the HEAT button is pressed the Auger Feed Rate Adjustment index is incremented by 1 (the default is set at '0' trim) which is approximately an increase in fuel feed of 5%. After the auger trim reaches '+ 4' the next position will drop down to '- 4'. Continually pressing the HEAT button will result in an endless loop, with values from -4 to +4. There are a total of 9 settings giving the ability to trim from a range, which is approximately -20% to +20% from the "0" position. Once the desired setting has been reached, pressing the Calibration button again will store the trim level for all 3 settings.

The trim setting will remain in memory (even during power outage) and can only change by repeating the procedure stated above.



NOTE: The control board is equipped with an internal memory which will recall the last setting and mode the stove was in prior to loss of power. Because we individually check each stove prior to packaging, one of the two scenarios will appear when you first plug in your stove.

- 1). The Green LED at the top of the controls will illuminate and the blowers will be running. This is a standard cool down mode and will last no longer than ten minutes. This happens during testing when the stove is turned off (which initiates cool down mode) and then is unplugged.
- 2). The Green LED at the top will illuminate and the red and yellow LED's will illuminate on the controls, indicating that the stove is in the run mode. This happens during testing if the stove is unplugged without first turning the controls off (the control remembers its last setting, which was the run mode).

If your stove follows that described in number 2 above, simply press the ON/OFF button once to turn the stove off, this will initiate the cool down mode. The stove can be restarted at any time during the cool down mode by pressing the ON/OFF button once.

Operating Instructions

Fuel Delivery Rate

The feed rate switch manages the fuel delivery rate by controlling the amount of time the auger motor will run as follows:

Profile 20-Freestanding

Feed Rate Setting	Auger Motor ON / OFF Time (seconds)	*Lb.'s per hour fuel delivery	◆ Approximate BTU per hour fuel delivery	Burn Time (hours)
Low =	1 on/5.40 off	1.5 Lb.'s/hr.	13,000 BTU/hr	37
Med.=	1 on/3.30 off	2.5 Lb.'s/hr.	21,000 BTU/hr	22
High =	1 on/1.75 off	3.8 Lb.'s/hr.	32,000 BTU/hr	15

Profile 30-Freestanding

Feed Rate Setting	Auger Motor ON / OFF Time (seconds)	*Lb.'s per hour fuel delivery	◆ Approximate BTU per hour fuel delivery	Burn Time (hours)
Low =	1 on/4.50 off	1.7 Lb.'s/hr.	14,000 BTU/hr	48
Med.=	1 on/1.90 off	2.6 Lb.'s/hr.	22,000 BTU/hr	30
High =	1 on/1.15 off	4.5 Lb.'s/hr.	39,000 BTU/hr	18

Profile 30-Insert

Feed Rate Setting	Auger Motor ON / OFF Time (seconds)	*Lb.'s per hour fuel delivery	◆ Approximate BTU per hour fuel delivery	Burn Time (hours)
Low =	1 on/4.50 off	1.7 Lb.'s/hr.	14,000 BTU/hr	30
Med.=	1 on/1.90 off	2.6 Lb.'s/hr.	22,000 BTU/hr	20
High =	1 on/1.15 off	4.5 Lb.'s/hr.	39,000 BTU/hr	12

Traditions P11-Freestanding

Feed Rate Setting	Auger Motor ON / OFF Time (seconds)	*Lb.'s per hour fuel delivery	◆ Approximate BTU per hour fuel delivery	Burn Time (hours)
Low =	1 on/5.00 off	1.5 Lb.'s/hr.	12,000 BTU/hr	34
Med.=	1 on/3.30 off	2.5 Lb.'s/hr.	21,000 BTU/hr	20
High =	1 on/1.60 off	3.8 Lb.'s/hr.	32,000 BTU/hr	14

* Feed rates are approximations only. Actual feed rate will vary depending on size, quality and length of fuel used and variations in line voltage.

◆ Estimated heat input based on fuel value of 8500 BTU per lb. of fuel.

Your pellet stove can be operated in either Manual or Automatic mode. The Manual mode is used when operating without a thermostat. The Automatic mode is used when utilizing a wall thermostat.

Initial Start-Up/Empty Hopper or Feed Tube:

During an initial start-up, or in the case where the hopper has run out of fuel, it will be necessary to prime the auger feed system. The control board is set to deliver fuel for approximately 2 1/2 minutes during start-up, which, with a fully primed auger tube, will provide the appropriate amount of fuel for ignition.

When first starting your pellet stove, it will be necessary to prime the auger tube. To prime the auger tube you need to first fill the hopper with pellets, and press the ON button on the control. Wait approximately 2 1/2 minutes and turn the controls OFF and then back ON again. Wait an additional 2 1/2 minutes (if necessary) and continue this process until fuel begins to fall into the burn grate. Remember, different brand fuels feed at different rates.

Once fuel starts to enter the burn grate, turn the stove OFF and then back ON. The auger tube should now be primed and the stove should deliver enough fuel for proper ignition. It may be necessary to follow these procedures in the event that the hopper runs completely out of fuel.

Manual Operation:

Pressing the stove on/off switch initiates the start-up cycle. The green on/off light, near the top of the control, will light up to indicate the "on" status. The fan speeds and pellet feeds are fixed during this time to provide appropriate ignition. The Fast-Fire igniter system will light the pellets feeding to the burn grate, after about 3 minutes. The start-up cycle is in effect for approximately 2 minutes after flame is detected in the burn grate. A photo eye, located near the pellet feed tube monitors the existence of flame. After the start-up cycle your stove will be in the run mode. At this point the stove will operate in the heat output and blower settings selected. These settings can be selected either during or after the start-up cycle. Pressing the stove on/off switch during the run mode will initiate the shut down cycle. The on/off indicator light will turn off. The pellets will stop feeding and the blowers will run at a fixed speed for approximately 10 minutes. At this point your stove is safely shut down and can ONLY be re-started by pressing the stove on/off switch again.

Automatic Operation:

Your stove is capable of running in an automatic mode with the use of a wall thermostat. NOTE: For the thermostat to control the operation of the stove, the "on" status must be active on the stove's on/off switch. The thermostat will establish either a demand mode or a stand-by mode. The thermostat should be set for the desired room temperature. If the room temperature drops below the level on the thermostat the stove will automatically begin the start-up cycle, as explained above in the Manual Operation section. Once the start-up cycle is completed the stove will operate in whatever heat and blower setting you have selected. For best operation under thermostat control, the Medium or High settings recommended. When the desired room temperature is reached the stove will automatically go into the shut down cycle. The pellet feed will stop and the blowers will continue for a controlled time allowing safe shut down of your stove. All lights will shut off when the thermostat is open. The heat and blower settings can be changed at any time, but only take affect during the run mode. When the temperature in the room drops to the level set at the thermostat, the stove will again begin the start-up cycle and resume automatic operation in the demand mode.

NOTE: If the stove on/off switch is pressed while the thermostat is in the standby mode the stove will not restart until the thermostat closes.

General Operating Considerations

Proper Burn Characteristics:

The flame in your stove should be bright yellow under normal operation. If the flame becomes lazy with a reddish/orange color, the damper position may need to be changed to provide more combustion air. Excessive amounts of flyash built-up in the grate, clinkers in the grate or leakage of air (if the grate is not properly seated) will starve the fire for air. (See ROUTINE MAINTENANCE for information on cleaning the stove). If the problem persists, review the troubleshooting section at the end of this manual.

Pellet Feed/Pellet Size:

The pellet feed system is designed to handle a wide range of pellet sizes up to a maximum of 5/16" diameter. Different pellets may feed at considerably different rates. You may notice a difference in the burn if you change pellet fuel sizes. The longer the pellet, the slower it will feed and vice versa. If the stove will not stay burning at the minimum fuel feed setting, those particular pellets may not be feeding fast enough. If this happens, reduce the amount of combustion air by adjusting the damper. See pages 9 and 10 before adjusting the damper.

Long Burn Time:

The stove may be safely operated on a continuous basis, but to conserve fuel it is recommended that it be turned down overnight or when the room is vacated for long periods of time. A 40-lb. bag of pellets should last approximately 9 hours on high and 23 to 26 hours on low, depending on which model you have and the type and size of pellets you are burning. Burn times can vary plus or minus 2 hours depending on the type of pellets burned. When utilizing the thermostat capability the burn time can be extended dramatically depending on thermostat setting. Note: It is normal for some ash to build up on the inner glass surface at the lower burn settings.

AUTOMATIC SAFETY FEATURES

Power Outage:

During a power outage, the stove will shut down safely. The stove will automatically restart when power is resumed. The solid state control has an internal memory that will retain heat output and blower speed settings through voltage interruptions. A small amount of smoke may leak from the top of the window glass, the hopper and from the combustion air intake, if the stove is vented horizontally with no vertical pipe. This will not persist for more than 3 to 5 minutes and will not be safety hazard. It may set off your smoke alarm.

Note: If the area in which you live is prone to frequent power outages, it is recommended that a minimum of 8 feet (2 ½ meters) of vertical vent pipe be included in a freestanding installation to induce a natural draft in the event of a power failure.

Overheating:

A high temperature switch will automatically shut down the stove if it overheats. Allow up to 45 minutes cooling time before re-lighting. Keep enough convection air going through stove to keep it cooling properly, this will ensure long life of the stove. If the overheating continues, contact your dealer for more information.

Safe Shut Down of Your Stove:

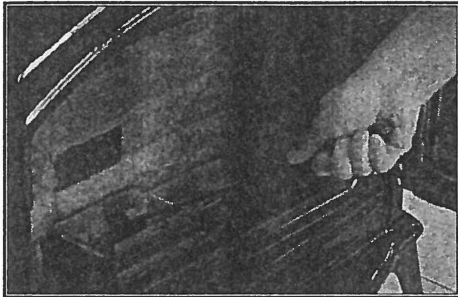
Press the stove on/off switch to initiate the shut down cycle. The pellets will stop feeding and the blowers will continue to run on a timed cycle. The stove will shut down safely upon completion of the shut down cycle.

Routine Cleaning

NOTE: STOVE WILL NEED TO BE SHUT OFF AND COOLED ENOUGH TO HANDLE BEFORE ROUTINE CLEANING IS PERFORMED.
ALWAYS DISCONNECT POWER BEFORE DOING ANY ROUTINE CLEANING.

The following areas need to be inspected during Routine Cleaning:

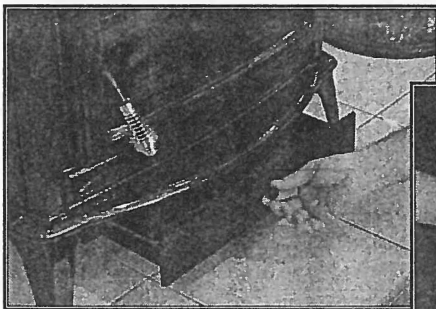
- Burn Grate
- Ash Slide Plate (Free Standing Model Only)
- Ash Pan
- Heat Exchange Tubes



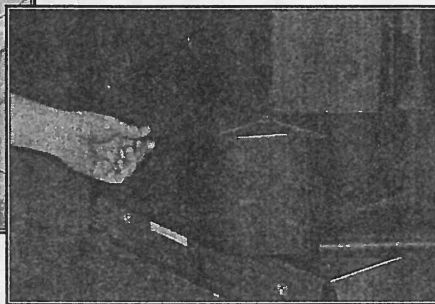
Traditions Burn Grate

Burn Grate: The burn grate should be inspected periodically to assure that the air holes have not become clogged with ash or clinkers. The burn grate can easily be cleaned with the grate scraper/ash pan tool, or it can be removed for cleaning. It is very important to monitor the ash build up under the burn grate, as excessive amounts of ash will block combustion air from entering the grate, causing pellets to pile-up in the grate. The ash build-up under the grate is easily dumped into the ash pan by pulling out the ash slide weekly as shown below in (Figures C & D). The grate cleaning procedure is the same for all models.

Freestanding Ash Pan: The ash pan will have to be emptied periodically, depending on amount of fuel consumed. The ash pan is located in the pedestal on the profile 20 & 30 as in fig.B. It can be removed by turning the T-Bar latch fully counter-clockwise. The Traditions ash pan is pulled straight out using the black pull knob located on the front of the ash pan (fig. A).



(Figure A) Traditions Ash Pan

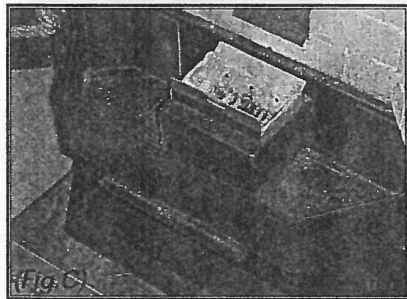


(Figure B) Profile 20 & 30 Ash Pan

Creosote removal: When wood is burned slowly, it produces tar and other organic vapors, which combine with expelled moisture to form creosote. The creosote vapors condense in the relatively cool chimney flue of a slow-burning fire. As a result, creosote residue accumulates on the flue lining. When ignited this creosote makes an extremely hot fire.

The chimney connector and chimney should be inspected at least once every two months during the heating season to determine if a creosote buildup has occurred.

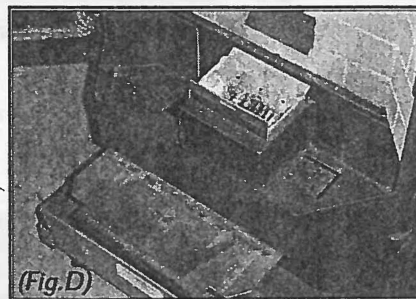
If creosote has accumulated it should be removed to reduce the risk of a chimney fire.



(Fig.C)

(Figure C & D)

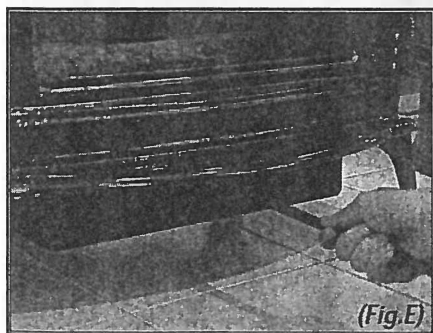
Profile 20 & 30 Ash Slide Plate



(Fig.D)

Ash Slide Plate: Ash that accumulates around the grate can be "dropped" into the ash pan without opening the firebox door. Simply pull open the ash release slide plate as shown in photo using the grate scraper tool provided. Remove the ash pan as shown. **Note: Make**

sure to fully close the plates when finished. Failure to close the ash release slide plates completely may cause the fuel to burn poorly (due to reduced air flow through the grate), which may then cause pellets to "pile up" in the grate. Important: The Profile 20 & 30 ash slides must be fully closed for firebox door to close.



(Fig.E)

Traditions Ash Slide Plate Location

Insert Ash Pan: The Insert Model stove has three ash pans, left, right and center. They should be emptied whenever necessary. The ash pans can be removed by inserting the grate scraper tool into the slot on the ashpan and lifting up (for the sides) or pulling out (for the center ashpan). Be sure to dump ashes into a non-combustible container. All ash removal and cleaning should be done while stove is cold.

Routine Maintenance

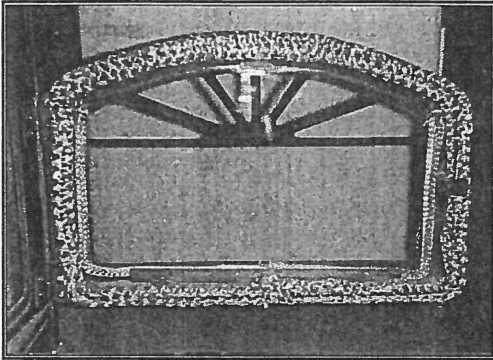
UNPLUG STOVE BEFORE PERFORMING ANY MAINTENANCE WORK

The following areas need to be inspected as part of routine maintenance:

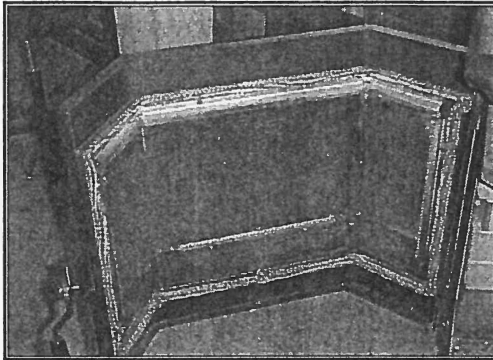
Door Rope Gasket:

The condition of the rope gasket around the door and windows should be checked periodically and replaced or repaired if necessary. A one inch strip of paper may be used to perform a test of the integrity of the door seal.

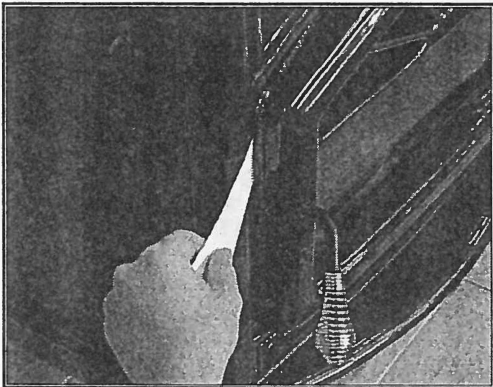
Close the door on the paper in several different locations and pull. It is normal to feel only a slight amount of friction. The door gasket does not need to be "tight" in all areas, since a small amount of leakage is not hazardous or detrimental to the performance of your stove.



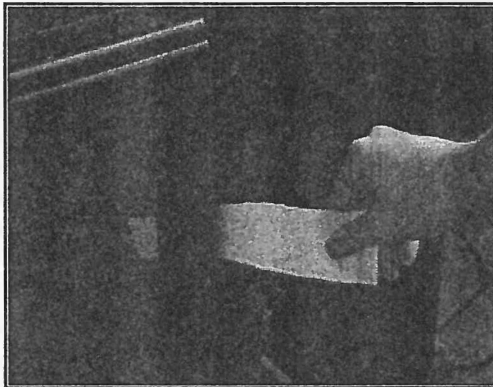
Traditions Door Rope Gasket



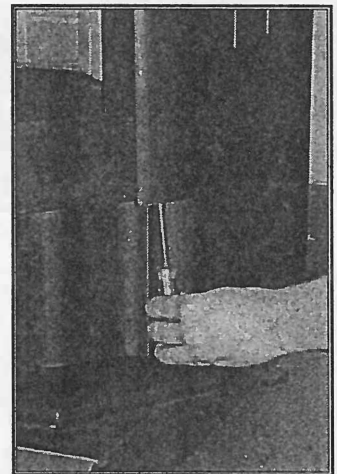
Profile 20 and 30 Door Rope Gasket



Traditions Checking Door Seal



Profile 20 and 30 checking Door Seal

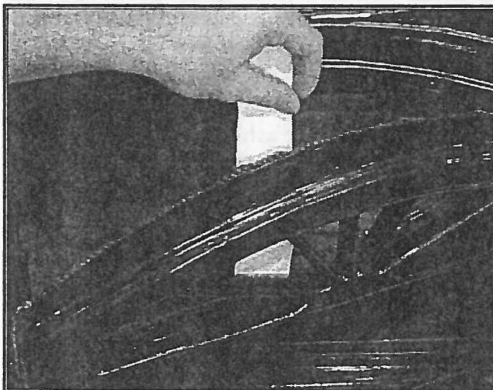


Profile-20 and 30

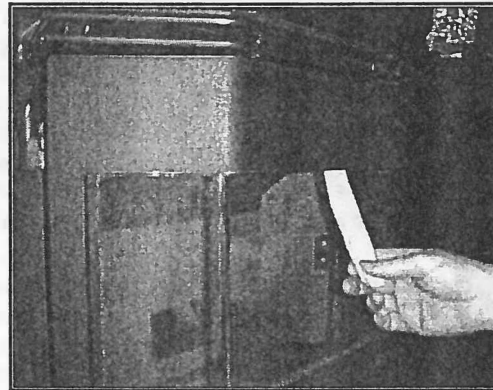
Using a 5/16" nut driver remove screw from underneath the side panel at the front edge. Reinstall screw to prevent panel from opening accidentally!

Window Wash:

Periodically insert a small piece of cardboard (a business card) between the window trim and the window. Slide the card back & forth a few times to clear any dust or fibers from the window wash gap. Open the door and repeat from the other side of the glass.



Traditions Window Wash



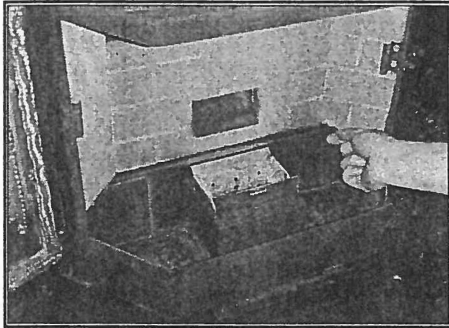
Profile 20 and 30 Window Wash

Routine Maintenance (con't)

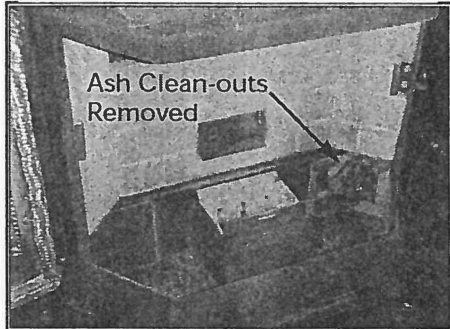
UNPLUG STOVE BEFORE PERFORMING ANY MAINTENANCE WORK

Exhaust Passages and Vent Pipe:

Inspect frequently and clean when necessary. Fly ash will accumulate at all bends in the exhaust system. *Note:* Large amounts of fly ash build-up will create a lack of combustion air. Removing the Tee cap on vertical installations will allow an inspection of the ash build-up in the exhaust Tee and will help you to decide how frequently more extensive cleaning must be performed.



Profile 30



Profile 30

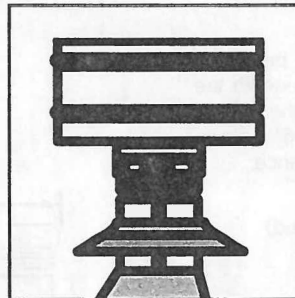
Profile 30 Only: Make sure stove is cold. Ash clean outs must be cleaned as part of routine maintenance. Loosen screws (1 per clean-out) and lift plate out. Use an approved ash vacuum or brush to remove ash. After cleaning, replace clean-out plates and tighten screws.

Plates Must Be Installed When Operating Unit.

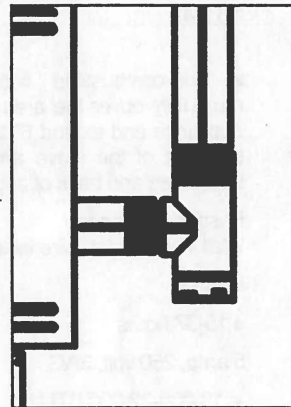
Motor Lubrication:

THE BLOWERS ARE PERMANENTLY LUBRICATED BY THE MANUFACTURER.

Do Not Apply Oil To Any Part Of The Blower, Doing So May Cause Damage.



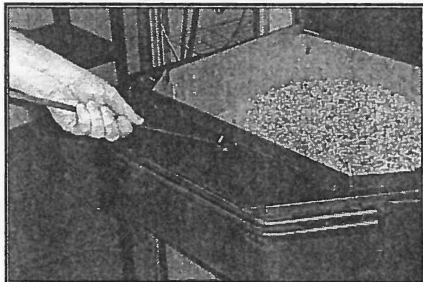
Rain Cap



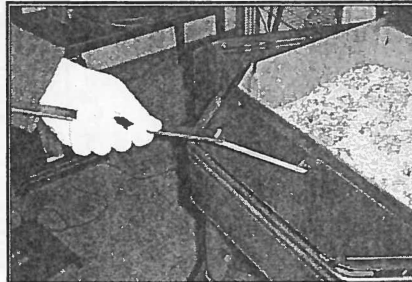
Clean Out Tee

Rear Stove Compartment:

The rear stove compartment should be cleaned periodically (a minimum of once a year.) **DISCONNECT ELECTRICAL CORD PRIOR TO CLEANING STOVE.** Any household dust, pet hair or sawdust should be vacuumed or wiped out of the rear compartment of the stove, Freestanding or Fireplace Insert model. The electrical components should be wiped clean.

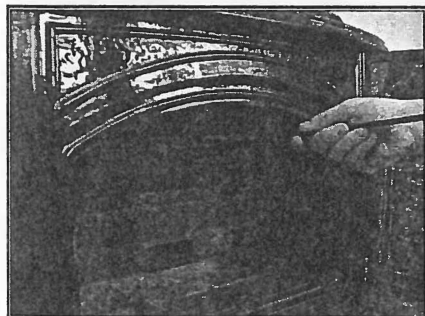


Profile Series Heat Exchanger Tube



Profile Series Heat Exchanger Tube

HEAT EXCHANGER TUBES (TRADITIONS): ONLY CLEAN HEAT EXCHANGER TUBES AFTER STOVE HAS COOLED DOWN. A rod located above the Heat Exchange Baffle (inside of firebox) is used for cleaning the tubes. After opening the firebox door, use the hole in the handle of the Grate Scraper Tool to "grab" onto the rod. Using the Grate Scraper Tool, pull the rod up and out towards the opening of the firebox. Continue pulling until the Tube Scraper reaches the top of the firebox. Repeat 2-3 times to remove fly ash from the heat exchange tubes.



Traditions Heat Exchanger Tube

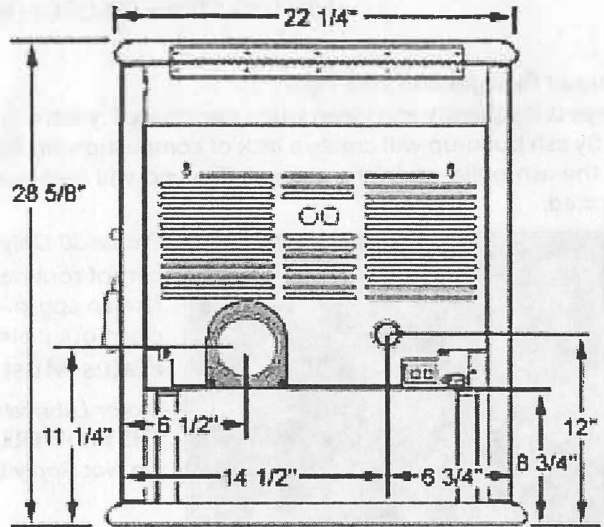


Traditions Heat Exchanger Tube

It may be easier to clean the tubes by first removing the heat exchanger baffle. Loosen the two screws holding the baffle in place (do not fully remove). The baffle contains keyhole slots allowing the screws to remain in place while removing the baffle. The scraper can now be pulled in a more horizontal manner, which allows the scraper to move more freely.

SPECIFICATIONS - Model Profile 20-Freestanding

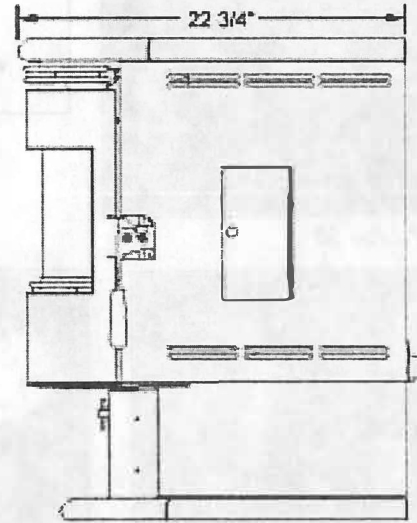
Approx. Sq. Ft Heat Capacity	Up to ~1200 sq. ft.
Flue Size	3" Rear
Width, Overall	22 1/4"
Depth, Overall	22 3/4"
Height	28 5/8"
Floor to Rear Flue Center	11 1/4"
Facing back of unit, outside edge of left side to center of rear flue outlet	6 1/2"
Floor to Rear Outside Air Inlet	12"
Facing back of Unit outside edge of right side to center of air inlet	* 6 3/4"



Floor Protection Requirements

- Non-combustible floor protection must fully cover the area beneath the appliance and extend 6" to the front of the face of the stove and 6" beyond both sides and back of appliance.

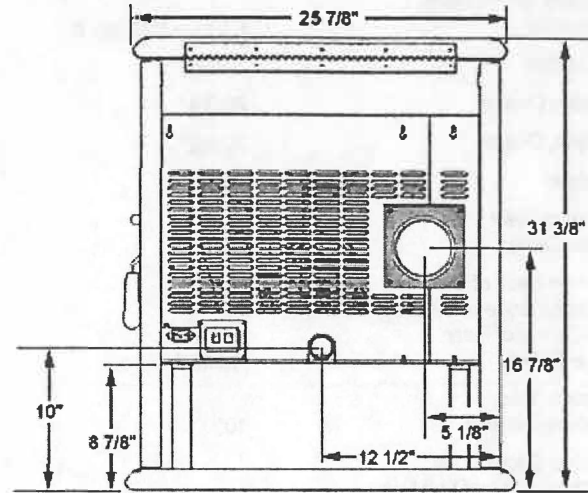
Standard Features	Fastfire Self Igniter Wall Thermostat (wire included)
Hopper Capacity	55 lbs.
Burn time	◆ 15-37 hours
Fuse	5 amp, 250 volt, 3AG
Heat Input (BTU's per hour)	◆ 13,000-32,000 BTU/hr
Overall Efficiency	75-81%
Emissions	◆ 0.9 grams/hr (varies w/size and type of fuel) EPA exempt.
Shipping Weight	215 lbs.
Room Fan	150 CFM; .8 amps, 2175 rpm
Auger Motor	1 RPM; .4 amps
Draft Fan	95 CFM: 1.0amps, 2880 rpm
Options	Nickel or Gold Trim Kits Log Set



- **Dimensions shown are approximations only (+/- 1/4")**
- ~ **Square footage heating capacities are approximations only. They will vary depending upon the level of insulation, climate, house design, ceiling height, ambient outside temperatures and how the stove is operated.**
- **Non-combustible floor protection must be used when installed on carpet (see Floor Protection, page 11).**
- ◆ **Fuel delivery and burn times will vary depending on size and type of fuel used. Estimated heat input based on fuel value of 8500 BTU per lb.**

SPECIFICATIONS - Model Profile 30-Freestanding

Approx. Sq. Ft Heat Capacity	Up to ~1500 sq. ft.
Flue Size	3" Rear
Width, Overall	25 7/8"
Depth, Overall	24 7/8"
Height	31 3/8"
Floor to Rear Flue Center	16 7/8"
Facing Back of Unit, outside edge on right to center of rear flue outlet	5 1/8"
Floor to Rear Outside Air Inlet	10"
Facing Back of Unit outside edge on right to center of air inlet	* 12 1/2"



Floor Protection Requirements

- Non-combustible floor protection must fully cover the area beneath the appliance and extend 6" to the front of the face of the stove and 6" beyond both sides and back of appliance.

Standard Features

- Fastfire Self Igniter
- Wall Thermostat (wire included)

Hopper Capacity 80 lbs.

Burn time ♦ 18-48 hours

Fuse 5 amp, 250 volt, 3AG

Heat Input (Max.) ♦ 14,000-39,000 BTU/hr

Overall Efficiency 81%

Emissions ♦ 0.9 gr/hr (varies w/size and type of fuel) EPA certified.

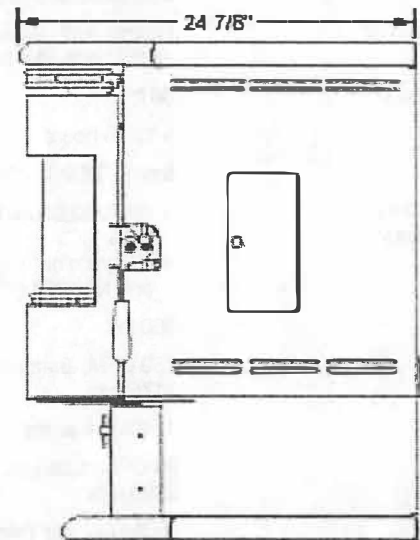
Ship Weight 270 lbs.

Room Fan 150 CFM; .8 amps, 2175 rpm

Auger Motor 1 RPM; .4 amps

Draft Fan 95 CFM: 1.0amps, 2880 rpm

Options Nickel or Gold Trim Kits
Log Set



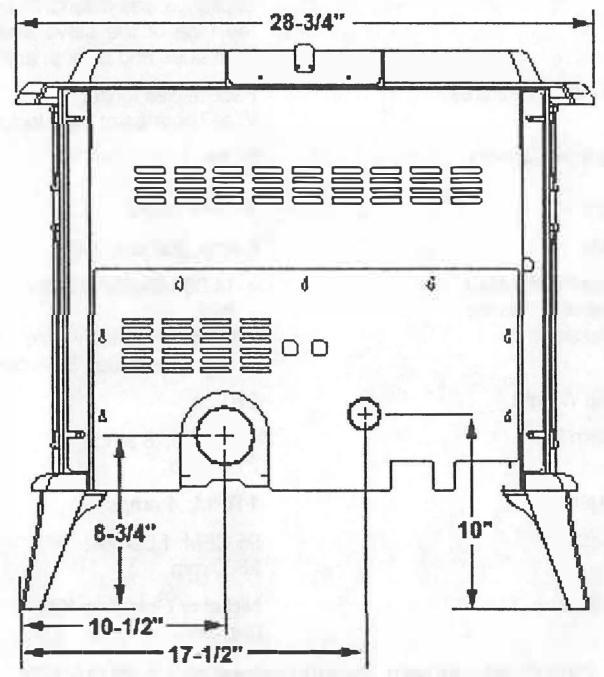
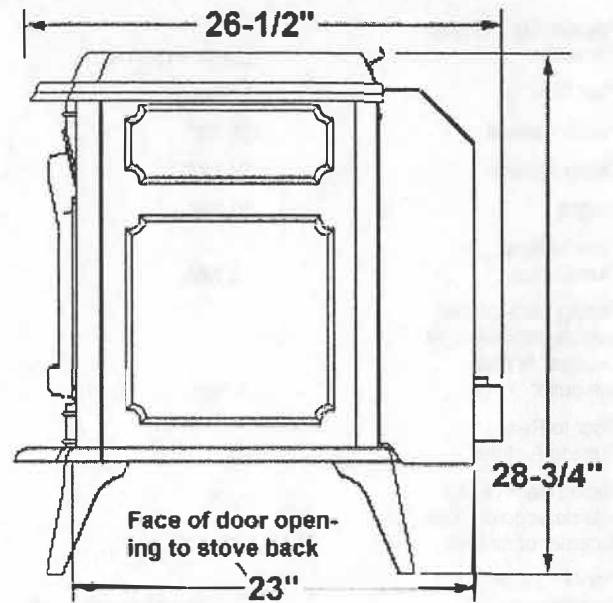
- **Dimensions shown are approximations only (+/- 1/4")**
- ~ **Square footage heating capacities are approximations only. They will vary depending upon the level of insulation, climate, house design, ceiling height, ambient outside temperatures and how the stove is operated.**
- **Non-combustible floor protection must be used when installed on carpet (see *Floor Protection*, page 11).**
- ♦ **Fuel delivery and burn times will vary depending on size and type of fuel used. Estimated heat input based on fuel value of 8500 BTU per lb.**

SPECIFICATIONS - Model P11

Approx. Sq. Ft Heat Capacity	Up to ~1500 sq. ft.
Flue Size	3" Rear
Width, Overall	28 3/4"
Depth, Overall	29 1/2"
Height	28 3/4"
Floor to Rear Flue Center	8 3/4"
Facing Back of Unit, Outside Edge of Left Leg To Center of Rear Flue Outlet	10 1/2"
Floor to Rear Outside Air Inlet	10"
Facing Back of Unit, Outside Edge of Left Leg To Center of Air Inlet	* 17 1/2"
Floor Protection Requirements	<ul style="list-style-type: none"> ■ Non-combustible floor protection must fully cover the area beneath the appliance and extend 6" to the front of the face of the stove and 6" beyond both sides and back of appliance.

Standard Features	Fastfire Self Igniter Wall Thermostat (wire included)
Hopper Capacity	50 lbs.
Burn time	◆ 12-40 hours
Fuse	5 amp, 25 volt, 3AG
Heat Input (Max.)	◆ 9,900-32,000 BTU/hr
Overall Efficiency	85%
Emissions	◆ 0.9 gram/hr (varies w/size and type of fuel) EPA certified.
Ship Weight	360 lbs.
Room Fan	150 CFM; .8 amps, 2175 rpm
Auger Motor	1 RPM; 4 amps
Draft Fan	95 CFM: 1.0amps, 2880 rpm
Options	Nickel or Gold Trim Kits Log Set

- Dimensions shown are approximations only (+/- 1/4")
- ~ Square footage heating capacities are approximations only. They will vary depending upon the level of insulation, climate, house design, ceiling height, ambient outside temperatures and how the stove is operated.
- Non-combustible floor protection must be used when installed on carpet (see *Floor Protection*, page 11).
- ◆ Fuel delivery and burn times will vary depending on size and type of fuel used. Estimated heat input based on fuel value of 8500 BTU per lb.



SPECIFICATIONS - Model Profile 30-Insert

Approx. Sq. Ft Heat Capacity	Up to ~1500 sq. ft.
Flue Size	3" Rear
Width, Overall front (w/o shroud)	26"
Width, Overall back (w/o shroud)	24 1/8"
Depth, Overall (w/o shroud)	26 1/4"
Height, rear (w/o shroud)	19 15/16"
Height, front (w/o shroud)	23 5/8"
Floor to Rear Flue Center	9 1/4"
Fireplace Face to Rear Flue Outlet Collar	13 1/4"
Dimensions into Fireplace	
Minimum Height	20 1/8"
Minimum Width	24 3/8"
Minimum Depth	13 1/2"

Facing Back of Unit, Right Outside Edge of Unit to Center of Rear Flue Outlet	5"
---	----

Floor to Rear Outside Air Inlet	2 1/8"
---------------------------------	--------

Facing Back of Unit, Right Outside Edge of Unit to Center of Air Inlet	*12 7/16"
--	-----------

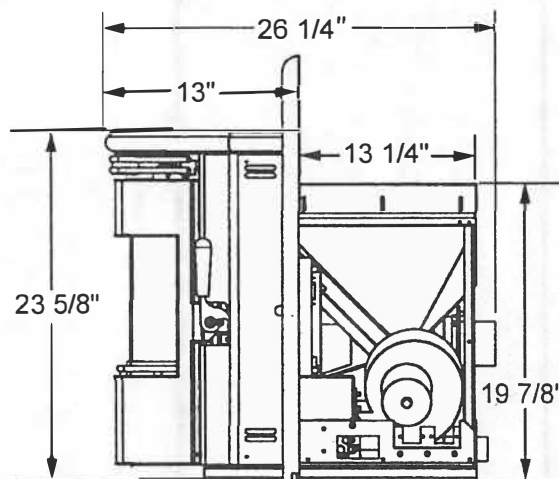
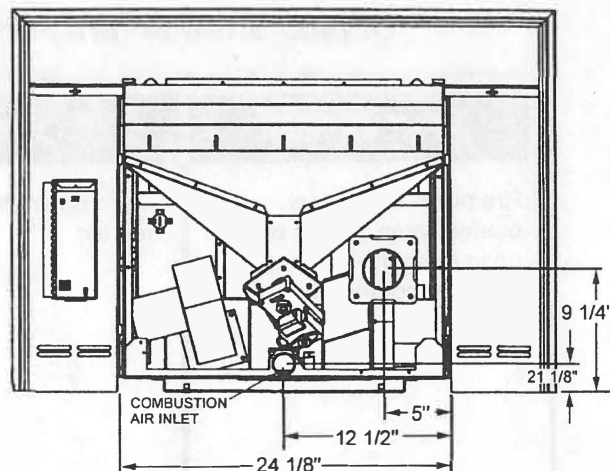
Floor Protection Requirements

- Non-combustible floor protection must fully cover the area beneath the appliance and extend 6" to the front of the face of the stove and 6" beyond both sides of appliance.

Standard Features	Fastfire Self Igniter Wall Thermostat (wire included)
-------------------	--

Hopper Capacity	50 lbs.
Burn time	◆ 10-45 hours
Fuse	5 amp, 250 volt, 3AG
Heat Input (Max.)	◆ 14,000-39,000 BTU/hr
Overall Efficiency	81%
Emissions	◆ 0.9 gram/hr (varies w/size and type of fuel) EPA certified.

Ship Weight	___ lbs.
Room Fan	150 CFM; .8 amps, 2175 rpm
Auger Motor	1 RPM; .4 amps
Draft Fan	95 CFM: 1.0amps, 2880 rpm
Options	Nickel or Gold Trim Kits Log Set



- Dimensions shown are approximations only (+/- 1/4")
- ~ Square footage heating capacities are approximations only. They will vary depending upon the level of insulation, climate, house design, ceiling height, ambient outside temperatures and how the stove is operated.
- Non-combustible floor protection must be used when installed on carpet (see *Floor Protection*, page 11).
- ◆ Fuel delivery and burn times will vary depending on size and type of fuel used. Estimated heat input based on fuel value of 8500 BTU per lb.

Troubleshooting

Qualified Technicians Only

Unplug Stove Before Performing any Maintenance work

PROBLEM	CAUSE(S)	SOLUTIONS
<p>Fire burns with a lazy orange flame. Pellets build up in the grate and the window gets sooted up.</p>	<p>There is insufficient combustion air.</p>	<p>Remove any clinkers or ash from the bottom of the grate that might be obstructing the primary air holes.</p> <p>Change to a better grade of fuel if necessary.</p> <p>Check that the damper has been opened enough for the amount of fuel feed.</p> <p>Check that the heat exchange tubes are not coated with ash.</p> <p>Clean internal exhaust ducts.</p> <p>Check gasket seal around the door. Use a thin strip of paper, 1 in. wide. Open the door and close it on the paper strip. A slight friction should be felt when the paper strip is pulled. Repeat this process at various locations around the door gasket. Replace the door gasket if necessary</p> <p>Check for blockage in the air inlet tube or exhaust pipe. Clean as necessary.</p> <p>Close ash slide plates.</p> <p>Have your Hearth Trends dealer check your combustion blower.</p>
<p>Fire goes out or stove shuts down automatically</p>	<p>The hopper is empty</p>	<p>Refill hopper.</p>
	<p>Pellets are not feeding.</p>	<p>See (Pellets will not feed) next page.</p>
	<p>The high limit temperature switch has tripped.</p>	<p>Allow stove to cool for 1 hour and re-light. If the stove has been</p>

Troubleshooting

Qualified Technicians Only

Unplug Stove Before Performing any Maintenance work

PROBLEM	CAUSE(S)	SOLUTIONS
Fire goes out or stove shuts down automatically (con't)		<i>(Con't from page 30)</i> operating at a medium to high burn rate and the convection fan has been turned down low then the fan should be turned up higher. If this problem persists (particularly at lower burn rates) then the high limit snap switch should be replaced by your certified Hearth Trends dealer.
	There is too much combustion air for the amount of fuel.	Adjust the damper to reduce combustion air flow.
Pellets will not feed.	The hopper is empty.	Refill hopper.
	The auger motor or circuit board may be defective. The pressure switch tap or hose may be blocked.	Check to be sure that there is no blockage in the pressure tap or hose. Have your certified Hearth trends dealer diagnose the problem and clean or replace any necessary parts.
	Back pressure in venting tripping pressure switch.	If new installation check for excessive 90° bends, long horizontal runs or excessive vertical run of 3" pipe. Possibly change to 4" pipe. If older installation check for excessive ash accumulation in pipe or other obstructions. Clean out pipe.
	Thermostat is in stand-by mode.	Check to see if thermostat is set to low or if sun is shining directly on thermostat.
	Thermostat wires disconnect.	Re-install wires.
	High limit switch may have been tripped.	Allow stove to cool. Increase convection blower setting.

Troubleshooting

Qualified Technicians Only

Unplug Stove Before Performing any Maintenance work

PROBLEM	CAUSE(S)	SOLUTIONS
Blowers will not operate when the start switch is depressed.	There is no power to the stove. There is no power to the control board.	Check that the stove is plugged in to the wall outlet. Check to see if your circuit breaker has tripped. Check the wire connections on the high limit snap switch and Control board.
There is soot or fly ash in the house.	The window is being cleaned when the stove is operating.	Turn down the convection fan or turn off stove before cleaning to prevent dispersion of ash and soot into the room.
	There is leakage at the joints between the combustion fan, connection or exhaust pipe connections. This will be evidenced by dust on the impeller of the convection fan, and in the heat exchanger area.	Seal up any leaks in the exhaust system with room temperature vulcanizing silicone sealer (RTV).
	The vacuum cleaner is leaking.	DO NOT use a standard household vacuum or "shop vac" as the filters will leak the fine particles of ash. Clean the stove with an approved Ash Vacuum ONLY.
Stove acts as if a fire is present when there is not a fire in the grate.	Excessive sun light may be shining directly into firebox from window.	Block excessive sun light. Call dealer if problem persists.
Stove will not light.	The igniter element may have failed.	Check igniter element fuse in rear stove compartment. Call an authorized Dealer. See alternate manual lighting procedure in APPENDIX F.

Warranty

THIS WARRANTY IS ISSUED BY Lennox Hearth Products (MANUFACTURER)
AND EXTENDS ONLY TO THE ORIGINAL PURCHASER OF THIS PRODUCT.

The Manufacturer provides a five year limited warranty on all steel parts (except the grate), and a 2 year limited warranty on all electrical components. These warranties extend from the date of the original purchase. There is expressly no warranty on the following components: glass window, Fiberglass rope gaskets, firebrick, grate, paint, exterior brass or enamel finish. This warranty covers defects in materials and workmanship in covered components, provided the product has been installed and operated strictly in accordance with Manufacturer's printed instructions. This warranty does not cover damage or breakage caused by improper handling, misuse or unauthorized modification. Without limiting the foregoing, the use of fuels other than pelletized wood will void all warranties and liabilities. All claims under this warranty must be made in writing to the Manufacturer at Lennox Hearth Products, 695 Pease Road, Burlington WA. 98233 and should include the following:

1. Name, address, and telephone number of servicing dealer.
2. Name, address, and telephone number of purchaser.
3. Date of purchase.
4. Model & Serial number of stove.
5. Nature of the defect, malfunction and/or complaint. Local representatives are to inspect parts and or stoves. If the inspection indicates that the failure was due to defective material or workmanship in covered components and that the other terms and conditions of this warranty have been complied with, the Manufacturer's sole duty and liability under this warranty shall be limited to the Manufacturer's replacement or repair, at Manufacturer's option, of the defective stove or part. The purchaser shall assume all costs of shipping to and from the Manufacturer and shall be responsible for all losses during shipment if the stove is not defective. If a stove is found to be defective by the Manufacturer, shipping costs will be reimbursed. Removal and reinstallation costs are not covered under this warranty.

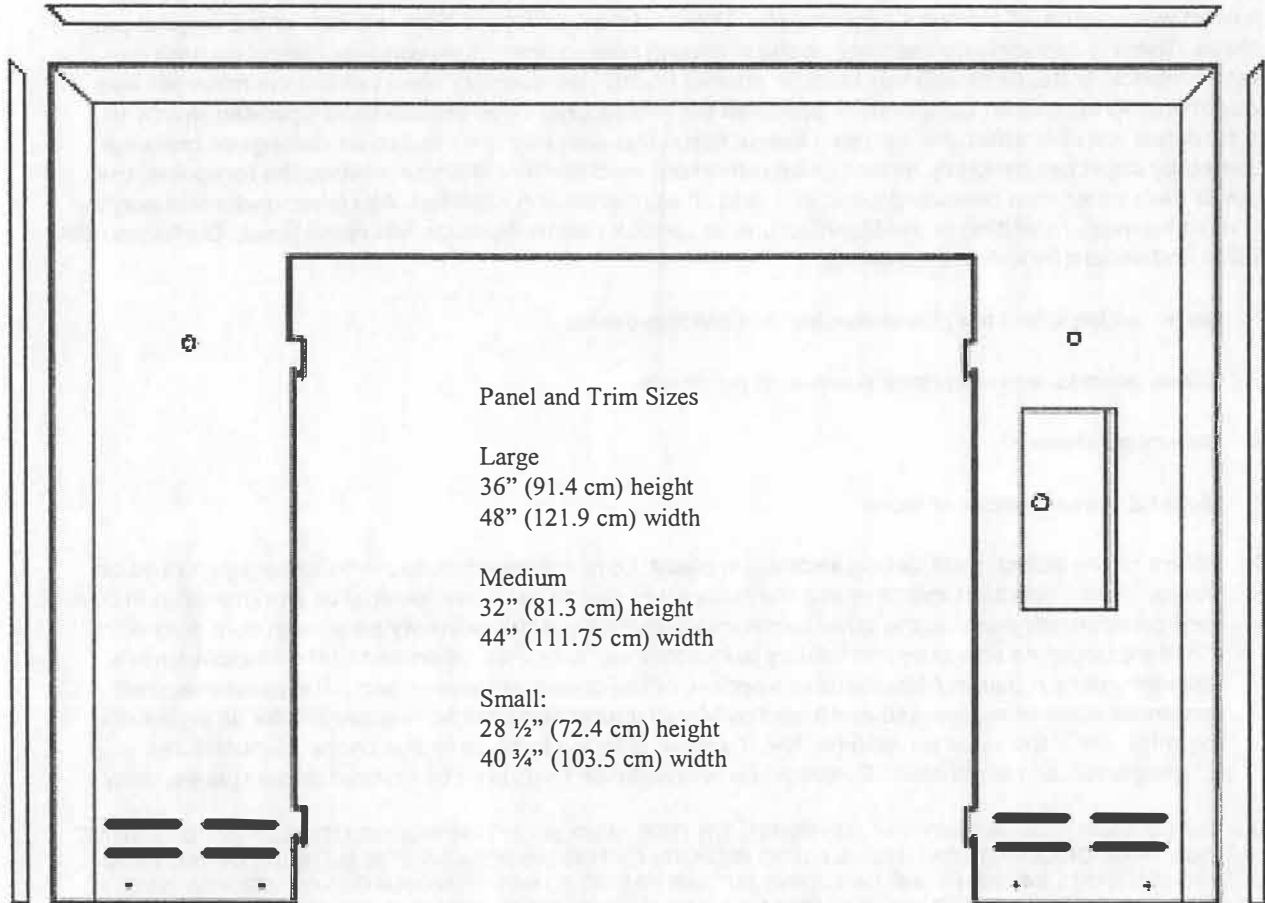
NEITHER THE MANUFACTURER, NOR THE SUPPLIER TO THE PURCHASER, ACCEPTS RESPONSIBILITY, LEGAL OR OTHERWISE, FOR INCIDENTAL OR CONSEQUENTIAL DAMAGE TO PROPERTY OR PERSONS RESULTING FROM THE USE OF THIS PRODUCT. ANY WARRANTY IMPLIED BY LAW, INCLUDING BUT NOT LIMITED TO IMPLIED WARRANTIES OF MERCHANTABILITY OR FITNESS, SHALL BE LIMITED TO ONE YEAR FROM THE DATE OF ORIGINAL PURCHASE. WHETHER A CLAIM IS MADE AGAINST THE MANUFACTURER BASED ON A BREACH OF THIS WARRANTY OR ANY OTHER TYPE OF WARRANTY, EXPRESSED OR IMPLIED BY LAW, MANUFACTURER SHALL IN NO EVENT BE LIABLE FOR ANY SPECIAL, INDIRECT, CONSEQUENTIAL OR OTHER DAMAGES OF ANY NATURE WHATSOEVER IN EXCESS OF THE ORIGINAL PURCHASE PRICE OF THIS PRODUCT. ALL WARRANTIES BY MANUFACTURER ARE SET FORTH HEREIN AND NO CLAIM SHALL BE MADE AGAINST MANUFACTURER ON ANY ORAL WARRANTY OR REPRESENTATION.

Some states or countries may not allow the exclusion or limitation of consequential damages, or limitations of implied warranties, so the limitations or exclusions set forth in this warranty may not apply to you.

This warranty gives you specific legal rights and you may also have other rights which vary from different states or countries.

Insert - Shroud Components

Profile 30 Insert - Surround/Shroud Panels and Trim



Replacement Parts List

Common To Traditions, Profiles 20 & 30

#11756300	Auger
#12051263	Ultragrate Replacement
#12050011	Combustion Blower
#12146109	Convection, Hardwasher, Blower
#12046300	Auger Motor
#12050815	Wiring Harness
#16050001	Pressure Switch
#12058820	Power Cord
#12147705	Snapswitch, 250 DG (L250-30F, 60T21)
#61050003	Auger End Plate Gasket, 5pc.
#61057203	Convection fan Gasket, 5pc.
#61050005	Combustion Fan Gasket, 5pc.
#12041300	Auger Collar & Screw Set (3 pieces)
#12050111	Combustion Fan (Motor Only) Kit
#12140213	Igniter Replacement
#16050205	Thermostat
#61050041	Gasket, Combustion Blower (Motor Only) 5pc.
#12050093	Quick Disconnect 3" Vent Side
#12055500	Grate Scraper
#15051547	Gasket, Door, 3/4" Rope, (8 ft.)

Traditions (Freestanding)

#11750015	Firebrick set
#11750003	Door Handle Assembly, Kit
#16055150	Control Board
#19050196	Photoeye Assembly
#20959999	Door, Glass
#61057208	Glass Gasket (4')
#15051547	Gasket, Door, 3/4" Rope, (8 ft.)
#11750011	Brick Clips (2 clips)
#20950100	Rear Panel Assembly
#20950205	Hopper Lid Assembly, Kit
#20950110	Gasket, Quick Disconnect
#17150029	Damper Rod Assembly, Kit
#20950087	Auger, Flange
#20950091	Ashpan Assembly
#20953006	Trivet, Black
#20950014	Heat Exchange Baffle
#20950068	Photoeye Mount
#20953013	Cast Top, Black Enamel
#20953053	Cast Top, Green Enamel
#20953083	Cast Top, Sand Enamel
#20953003	Cast Top, Black Painted
#20953012	Cast Door Frame, Black Enamel
#20953052	Cast Door Frame, Green Enamel
#20953082	Cast Door Frame, Sand Enamel
#20953002	Cast Door Frame, Black Painted
#20950153	Log Set
#20951000	Trivet, Gold Plated
#20751075	Leveler Legs (2pc.)
#26021	Touch Up Paint, Green (for enamel)
#26022	Touch Up Paint, Black (for enamel)
#26023	Touch Up Paint, Sand (for enamel)

Profile 30 (Freestanding-FS, Insert-IN, Common-C)

#14750015	Firebrick Set-C
#14750111	Firebox Door Assembly
#17150095	Door Handle-C
#16052112	Control Board-C
#19050196	Photoeye Assembly
#61057208	Gasket, Glass (4ft.)-C
#14750021	Hinge Bracket-C
#11750011	Brick Clips-C
#17250241	Auger Flange-C
#12146402	Replacement Glass-C
#15051547	Gasket, Door, 3/4" Rope, (8 ft.)
#14750070	Side Panel, LHS-FS
#14750075	Side Panel, RHS-FS
#14750060	Top Panel-FS
#14750150	Rear Panel-FS
#14750340	Side Panel, LHS-IN
#14750345	Side Panel, RHS-IN
#14750300	Top Panel-IN
#14750057	Trim Set, Nickel-C
#14750056	Trim Set, Gold-C
#61050016	Gasket, Quick Disconnect 5pc.-C
#14756100	Shroud, Small-IN
#14757100	Shroud, Medium-IN
#14758100	Shroud, Large-IN
#14750201	Trim, Large Shroud, Gold-IN
#14750101	Trim, Medium Shroud, Gold-IN
#19350008	Trim, Small Shroud, Gold-IN

Profile 20 (Freestanding)

#14650001	Firebrick Set
#14650006	Firebox Door Assembly
#17150095	Door Handle
#16053941	Control Board
#19050196	Photoeye Assembly
#61057202	Gasket, Glass (10ft.)
#14650047	Hinge Bracket
#13640028	Brick Clips
#17250241	Auger Flange
#12050021	Replacement Glass, Side (1pc.)
#12050020	Replacement Glass, Front
#15051547	Gasket, Door, 3/4" Rope, (8 ft.)
#14650003	Side Panel, LHS
#14650004	Side Panel, RHS
#14650001	Top Panel
#14650048	Rear Panel
#14650057	Trim Set, Nickel
#14650056	Trim Set, Gold
#61050016	Gasket, Quick Disconnect 5pc.



CERTIFIED FOR U.S. AND CANADA. LISTED ROOM HEATER FOR USE WITH APFI/FFI APPROVED PELLETIZED WOOD FUEL ONLY. MAY BE INSTALLED IN MOBILE HOMES. MODEL: P11 TRADITIONS TESTED TO ASTM E-1509 /UL 1482 /ULC-S627 /WHPN-025 REPORT

NO. 476-1129 (APRIL 1995).

INSTALL AND USE ONLY IN ACCORDANCE WITH THE MANUFACTURER'S INSTALLATION INSTRUCTIONS. CONTACT LOCAL BUILDING OR FIRE OFFICIALS ABOUT RESTRICTIONS AND INSTALLATION INSPECTION IN YOUR AREA. DO NOT CONNECT THIS UNIT TO A CHIMNEY FLUE SERVING ANOTHER APPLIANCE. SEE LOCAL BUILDING CODE AND MANUFACTURER'S INSTRUCTIONS FOR PRECAUTIONS REQUIRED FOR PASSING A CHIMNEY THROUGH A COMBUSTIBLE WALL OR CEILING. THIS PELLET FIRED APPLIANCE HAS BEEN TESTED AND LISTED FOR USE IN MANUFACTURED HOMES IN ACCORDANCE WITH OREGON ADMINISTRATIVE RULES 814-23-900 THROUGH 814-23-909.

OPERATE ONLY WITH FIREBRICK IN PLACE. WARNING: OPERATE ONLY WITH VIEWING DOOR CLOSED. INSPECT FLUE FREQUENTLY TO PREVENT ACCUMULATION OF SOOT. THE HEATER AND FLUE MUST BE IN GOOD CONDITION. KEEP FURNISHINGS AND OTHER COMBUSTIBLE MATERIALS WELL AWAY FROM HEATER.

ROUTINE MAINTENANCE REMINDER

FREQUENCY OF CLEANING AND MAINTENANCE OF YOUR STOVE DEPENDS ON THE ASH CONTENT OF THE PELLETS YOU BURN. CHECK THE FOLLOWING PARTS OF YOUR STOVE WEEKLY FOR THE FIRST MONTH TO DETERMINE THE FREQUENCY OF CLEANING.

- A. BURN GRATE
- B. HEAT EXCHANGER TUBES
- C. ASH PAN AND EXHAUST PIPE

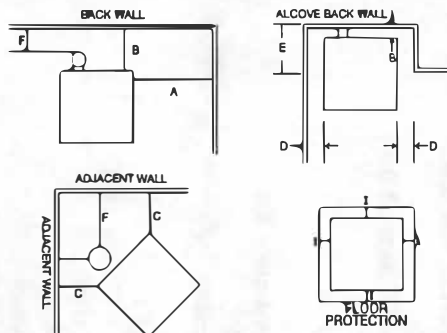
SEE YOUR MANUAL AND/OR DEALER FOR MORE INFORMATION.
 INPUT RATING RANGE: 1.5 TO 3.8 LBS./HOUR (NOMINAL)
 ELECTRICAL RATING: 60 HZ, 115 V, LESS THAN 10 AMP

DO NOT REMOVE THIS LABEL

WH-

MINIMUM CLEARANCES TO COMBUSTIBLE MATERIALS

FREESTANDING STOVE INSTALLATION	MOBILE HOME OR RESIDENTIAL INSTALLATION		
	HORIZONTAL FLUE-DIRECTLY THROUGH WALL INSTALLATION	INTERIOR VERTICAL FLUE INSTALLATION	
SIDEWALL TO UNIT	A	6"/153 MM	6"/153 MM
BACKWALL TO UNIT	B	2"/51 MM	9"/229 MM
WALL TO UNIT CORNER	C	2"/51 MM	2"/51 MM
ALCOVE TO CAST TOP	D	8"/153 MM	8"/153 MM
MAX. DEPTH OF ALCOVE FLUE TO WALL	E	18"/458 MM	18"/458 MM
FRONT/REAR/SIDE TO FLOOR PROTECTION OUTSIDE EDGE	F	N/A	3"/77 MM
	I	6"/153 MM	6"/153 MM
MINIMUM ALCOVE HEIGHT		48"/1220 MM	
MINIMUM ALCOVE WIDTH		41"/1042 MM	



CAUTION: HOT SURFACES WHILE IN OPERATION. DO NOT TOUCH. CONTACT MAY CAUSE SKIN BURNS.

KEEP CHILDREN, COMBUSTIBLE MATERIAL AND FURNISHINGS A CONSIDERABLE DISTANCE AWAY. SEE NAMEPLACE AND INSTRUCTIONS. TYPE OF FUEL: PELLETIZED WOOD FUEL ONLY.

COMBUSTIBLE FLOOR MUST BE PROTECTED BY NON-COMBUSTIBLE MATERIAL EXTENDING BENEATH THE HEATER AND 6" TO THE FRONT AND SIDES AS INDICATED OR TO THE NEAREST PERMITTED COMBUSTIBLE MATERIAL.

USE 3" / 75mm or 4" / 100mm Type "L" LISTED PELLET VENT AND COMPLETE COMPONENTS.

P11 TRADITIONS



Made in U.S.A. by LENNOX HEARTH PRODUCTS
 Burlington, WA



CERTIFIED FOR U.S. AND CANADA LISTED ROOM HEATER FOR USE WITH APFI/FFI APPROVED PELLETIZED WOOD FUEL ONLY. FOR USE IN MOBILE HOMES, AND AS AN INSERT FOR MASONRY AND FACTORY BUILT FIREPLACES. **MODEL: PROFILE 20** TESTED TO ASTM E-1509/UL 1482 /ULC-S627 /ULC-S628 REPORT NO. 6658 (JULY 1993).

INSTALL AND USE ONLY IN ACCORDANCE WITH THE MANUFACTURER'S INSTALLATION INSTRUCTIONS. CONTACT LOCAL BUILDING OR FIRE OFFICIALS ABOUT RESTRICTIONS AND INSTALLATION INSPECTION IN YOUR AREA. DO NOT CONNECT THIS UNIT TO A CHIMNEY FLUE SERVING ANOTHER APPLIANCE. SEE LOCAL BUILDING CODE AND MANUFACTURER'S INSTRUCTIONS FOR PRECAUTIONS REQUIRED FOR PASSING A CHIMNEY THROUGH A COMBUSTIBLE WALL OR CEILING. THIS PELLET FIRED APPLIANCE HAS BEEN TESTED AND LISTED FOR USE IN MANUFACTURED HOMES IN ACCORDANCE WITH OREGON ADMINISTRATIVE RULES 814-23-900 THROUGH 814-23-909.

OPERATE ONLY WITH FIREBRICK IN PLACE. WARNING: OPERATE ONLY WITH VIEWING DOOR CLOSED. INSPECT FLUE FREQUENTLY TO PREVENT ACCUMULATION OF SOOT. THE HEATER AND FLUE MUST BE IN GOOD CONDITION. KEEP FURNISHINGS AND OTHER COMBUSTIBLE MATERIALS WELL AWAY FROM HEATER.

ROUTINE MAINTENANCE REMINDER

FREQUENCY OF CLEANING AND MAINTENANCE OF YOUR STOVE DEPENDS ON THE ASH CONTENT OF THE PELLETS YOU BURN. CHECK THE FOLLOWING PARTS OF YOUR STOVE WEEKLY FOR THE FIRST MONTH TO DETERMINE THE FREQUENCY OF CLEANING.

- A. BURN GRATE
- B. HEAT EXCHANGER TUBES
- C. ASH PAN AND EXHAUST PIPE

SEE YOUR MANUAL AND/OR DEALER FOR MORE INFORMATION.
 INPUT RATING RANGE: 1.5 TO 3.8 LBS./HOUR (NOMINAL)
 ELECTRICAL RATING: 60 HZ, 115 V, LESS THAN 10 AMP

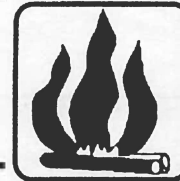
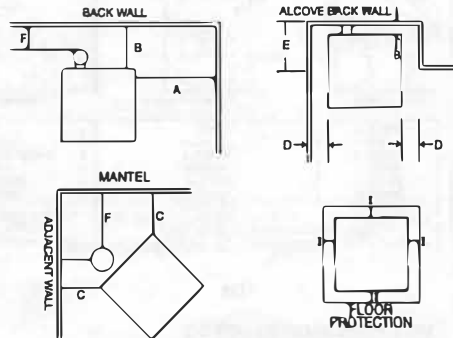
DO NOT REMOVE THIS LABEL

WH-

MINIMUM CLEARANCES TO COMBUSTIBLE MATERIALS

FREESTANDING STOVE INSTALLATION	MOBILE HOME OR RESIDENTIAL INSTALLATION		
	HORIZONTAL FLUE-DIRECTLY THROUGH WALL INSTALLATION	INTERIOR VERTICAL FLUE INSTALLATION	
SIDEWALL TO UNIT	A	4"/102 MM	4"/102 MM
BACKWALL TO UNIT	B	1"/25 MM	9"/229 MM
WALL TO UNIT CORNER	C	1"/25 MM	1"/25 MM
ALCOVE TO FUEL HOPPER	D	4"/102 MM	4"/102 MM
MAX. DEPTH OF ALCOVE	E	24"/610 MM	24"/610 MM
FLUE TO WALL	F	8"/204 MM	8"/204 MM
FRONT/REAR/SIDE TO FLOOR PROTECTION OUTSIDE EDGE	I	6"/153 MM	6"/153 MM

Profile 20



CAUTION: HOT SURFACES WHILE IN OPERATION. DO NOT TOUCH. CONTACT MAY CAUSE SKIN BURNS.

KEEP CHILDREN, COMBUSTIBLE MATERIAL AND FURNISHINGS A CONSIDERABLE DISTANCE AWAY. SEE NAMEPLACE AND INSTRUCTIONS. **TYPE OF FUEL: PELLETIZED WOOD FUEL ONLY.**

COMBUSTIBLE FLOOR MUST BE PROTECTED BY NON-COMBUSTIBLE MATERIAL EXTENDING BENEATH THE HEATER AND 6" TO THE FRONT AND SIDES AS INDICATED OR TO THE NEAREST PERMITTED COMBUSTIBLE MATERIAL.

USE 3" / 75mm or 4" / 100mm Type "L" LISTED PELLETS VENT AND COMPLETE COMPONENTS.

■ FREESTAND ■ INSERT

INSERT MODEL

MAY BE INSTALLED IN A MASONRY FIREPLACE THAT MEETS NATIONAL AND LOCAL BUILDING CODE REQUIREMENTS. DO NOT REMOVE BRICKS OR MORTAR. MAY BE INSTALLED IN A FACTORY BUILT ("ZERO CLEARANCE") FIREPLACE. DO NOT ALTER OR MODIFY THE FIREPLACE STRUCTURE. REFER TO OWNER'S MANUAL FOR SPECIFIC INSTALLATION REQUIREMENTS.

Made in U.S.A. by LENNOX HEARTH PRODUCTS
 Burlington, WA

Profile 20 Pellet Stove Safety Label



LISTED ROOM HEATER, PELLETIZED WOOD FUEL TYPE. ALSO FOR USE IN MOBILE HOMES, AND AS AN INSERT FOR MASONRY FIREPLACES AND FACTORY BUILT FIREPLACES. OR AS BUILT IN. MODEL: PROFILE-30 TESTED TO: UL 1482 / ULC-S627 / ULC-S628 REPORT NO: 5515 (DEC. 1991) ASTM E1509 REPORT NO: 476-1244 (MAR. 1996).

INSTALL AND USE ONLY IN ACCORDANCE WITH THE MANUFACTURER'S INSTALLATION INSTRUCTIONS. CONTACT LOCAL BUILDING OR FIRE OFFICIALS ABOUT RESTRICTIONS AND INSTALLATION INSPECTION IN YOUR AREA. DO NOT CONNECT THIS UNIT TO A CHIMNEY FLUE SERVING ANOTHER FIREPLACE. SEE LOCAL BUILDING CODE AND MANUFACTURER'S INSTRUCTIONS FOR PRECAUTIONS REQUIRED FOR PASSING A CHIMNEY THROUGH A COMBUSTIBLE WALL OR CEILING. THIS PELLET FIRED APPLIANCE HAS BEEN TESTED AND LISTED FOR USE IN MANUFACTURED HOMES IN ACCORDANCE WITH OREGON ADMINISTRATIVE RULES 814-23-900 THROUGH 814-23-909.

OPERATE ONLY WITH FIREBRICKS IN PLACE. OPERATE ONLY WITH VIEWING DOOR AND ASH REMOVAL DOOR CLOSED. INSPECT FLUE FREQUENTLY. CLEAN HEAT EXCHANGER AND FLUE FREQUENTLY TO PREVENT ACCUMULATION OF SOOT. THE HEATER AND FLUE MUST BE IN GOOD CONDITION. REQUIRED COMPONENTS: DAMPER SEALING PLATE FOR INSERT INSTALLATIONS. USE 3" / 75MM OR 4" / 100MM MODEL PL CHIMNEY COMPONENTS. KEEP FURNISHINGS AND OTHER COMBUSTIBLE MATERIALS WELL AWAY FROM HEATER.

ELECTRICAL RATING: 115V 60Hz Less than 10 Amp
FUEL INPUT RATING: 4.5 Lbs./Hr. Max.

ROUTINE MAINTENANCE REMINDER

FREQUENCY OF CLEANING AND MAINTENANCE OF YOUR STOVE DEPENDS ON THE ASH CONTENT OF THE PELLETS YOU BURN. CHECK THE FOLLOWING PARTS OF YOUR STOVE WEEKLY FOR THE FIRST MONTH TO DETERMINE CLEANING:

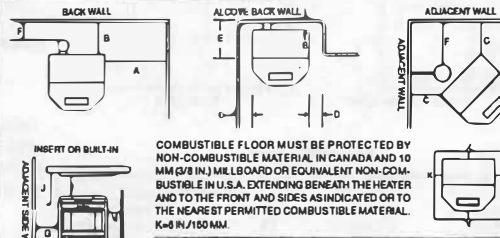
- A. BURNGRATE
- B. HEAT EXCHANGER TUBES
- C. ASH TRAPS AND ASH PAN

SEE YOUR MANUAL AND/DEALER FOR MORE INFORMATION.

DO NOT REMOVE THIS LABEL

WH-

INSTALLED AS FREESTANDING STOVE	MOBILE HOME OR RESIDENTIAL INSTALLATION	
	HORIZONTAL FLUE-DIRECTLY THROUGH WALL INSTALLATION	INTERIOR VERTICAL FLUE INSTALLATION
SIDEWALL TO UNIT	6" / 153 MM	6" / 153 MM
BACKWALL TO UNIT	1" / 25 MM	6" / 153 MM
CORNER TO UNIT	1" / 25 MM	1" / 25 MM
ALONGSIDE FUEL HOPPER	6" / 153 MM	6" / 153 MM
DEPTH OF ALCOVE	15" / 427 MM	N/A
FLUE TO WALL	N/A	3" / 77 MM



COMBUSTIBLE FLOOR MUST BE PROTECTED BY NON-COMBUSTIBLE MATERIAL IN CANADA AND 10 MM (3/8 IN.) MILLBOARD OR EQUIVALENT NON-COMBUSTIBLE IN U.S.A. EXTENDING BENEATH THE HEATER AND TO THE FRONT AND SIDES AS INDICATED OR TO THE NEAREST PERMITTED COMBUSTIBLE MATERIAL. K-6 IN / 150 MM.

INSTALLED AS AN INSERT

USE 3" / 75 MM / MODEL PL CHIMNEY COMPONENTS OR LISTED SINGLE WALL CHIMNEY LINER. SEAL THE AREA BETWEEN THE FIREPLACE DAMPER AND THE INSERT FLUE. MAY BE INSTALLED IN A MASONRY FIREPLACE THAT MEETS NATIONAL AND LOCAL BUILDING CODE REQUIREMENTS. DO NOT REMOVE BRICKS OR MORTAR. MAY BE INSTALLED IN A FACTORY BUILT FIREPLACE. DO NOT ALTER OR MODIFY THE FIREPLACE. REFER TO OWNERS MANUAL FOR SPECIFIC INSTALLATION REQUIREMENTS. DO NOT ROUTE CORD BENEATH OR OVER APPLIANCE.



CAUTION: HOT SURFACES WHILE IN OPERATION. DO NOT TOUCH. CONTACT MAY CAUSE SKIN BURNS. KEEP CHILDREN, COMBUSTIBLE MATERIAL AND FURNISHINGS A CONSIDERABLE DISTANCE AWAY. SEE NAMEPLATE AND INSTRUCTIONS. TYPE OF FUEL: PELLETIZED WOOD FUEL ONLY.

- PROFILE-30
- FREESTAND
- INSERT

Made in U.S.A. by LENNOX HEARTH PRODUCTS
Burlington, WA



MODEL: Profile-30

See Safety Label on Hopper side panel for detailed information

Profile 30 Pellet Stove Safety Label

LENNOX[®]

HEARTH PRODUCTS

4325 Artesia Avenue

Fullerton, CA 92833

LEWIS

1000
1000
1000
1000