

This appliance has been retired.
Service parts pages within have been removed.
For replacement parts, please refer to the individual
service parts list located on the brand websites.

WOODPRO Series Owners Manual

WOOD APPLIANCES

MODELS:

Model WS-TS-1500

Small WoodPRO™ Wood Stove

Model WS-TS-2000

Medium WoodPRO™ Wood Stove

Model WS-TS-2500

Large WoodPRO™ Wood Stove

This manual describes the installation and operation of the Brand "WoodPRO" wood heater. This heater meets the 2015 U.S. Environmental Protection Agency's crib wood emission limits for wood heaters sold after May 15th 2015. Under specific test conditions this heater has been shown to deliver heat at rates ranging from XXX to XXX Btu/hr."

WS-TS-1500 : 10 650 to 27 350 btu/hr

WS-TS-2000 : 13 500 to 31 600 btu/hr

WS-TS-2500 : 13 000 to 30 800 btu/hr

www.woodprostoves.com Tel: 1-877-427-3316



This stove meets test standards:
US: UL 1482-2011 & CAN: ULC-S627-00

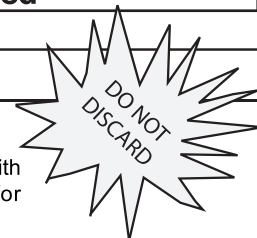
HIGH-EFFICIENCY WOODSTOVES
EPA Certified

NOTICE



DO NOT DISCARD THIS MANUAL

- Important operating and maintenance instructions included.
- Read, understand and follow these instructions for safe installation and operation.
- Leave this manual with party responsible for use and operation.



WARNING



If the information in these instructions is not followed exactly, a fire may result causing property damage, personal injury, or death.

- Do not store or use gasoline or other flammable vapors and liquids in the vicinity of this or any other appliance.
- Do not overfire - If heater or chimney connector glows, you are overfiring. Overfiring will void your warranty.
- Comply with all minimum clearances to combustibles as specified. Failure to comply may cause house fire.

WARNING



Fire Risk.

For use with solid wood fuel only. Other fuels may overfire and generate poisonous gases (i.e. carbon monoxide).

WARNING



HOT SURFACES!

Glass and other surfaces are hot during operation AND cool down.

Hot glass will cause burns.

- Do not touch glass until it is cooled
- NEVER allow children to touch glass
- Keep children away
- CAREFULLY SUPERVISE children in same room as fireplace.
- Alert children and adults to hazards of high temperatures.

High temperatures may ignite clothing or other flammable materials.

- Keep clothing, furniture, draperies and other flammable materials away.



Installation and service of this appliance should be performed by qualified personnel. Hearth & Home Technologies recommends NFI certified professionals, or technicians supervised by an NFI certified professional.



Le manuel de langue français est disponible à www.woodprostoves.com
French language manual is available at www.woodprostoves.com

SAFETY INSTRUCTIONS

1. The installation of this stove must comply with your local building code rulings. Please observe the clearances to combustibles (see reference figures 4–8). Do not place fuel, furniture or any other objects within the clearance area.
2. Verify that the stove is properly assembled and installed before firing the stove for the first time. After reading these instructions, if you have any doubt about your ability to complete your installation properly, you must obtain the services of a professional licensed installer familiar with all aspects of safe and correct installation. **DO NOT** use temporary or makeshift compromises during installation. There must be **NO DEVIATION OR ALTERATION OF ANY KIND** from the very specific instructions spelled out in this instruction manual as it pertains to the installation of this woodstove. **NO EXCEPTIONS!**
3. **DO NOT** store wood, kindling, flammable liquids or other combustible materials in the vicinity of the appliance. Refer to certification label on back of unit and reference figures 4-8 in this manual.
4. **FOR MOBILE HOME INSTALLATIONS IN U.S.A. ONLY. DO NOT INSTALL IN MOBILE HOMES IN CANADA. See additional mobile home requirements on page 11.**
5. **DO NOT ELEVATE THIS STOVE BY ANY MEANS.** (i.e. bricks under pedestal, cement blocks) Stove pedestal must set directly upon the solid-surface non-combustible floor as specified in this stove instruction manual.
6. **DO NOT MODIFY THIS STOVE IN ANY WAY!** Stove must be installed with pedestal and ash drawer provided, attached as shown in the instructions. **DO NOT OPERATE WITHOUT ASH DRAWER OR ASH CLEAN OUT COVER IN PLACE – NO EXCEPTIONS.** Assemble only with original parts as supplied and shown in this manual. **DO NOT OPERATE A STOVE THAT IS MISSING ANY PARTS!** If any parts are missing or defective, please notify the dealer or manufacturer immediately. Replace missing, broken or worn parts with factory original or equivalent parts only.
7. **CAUTION: DO NOT ALTER COMBUSTION AIR CONTROL RANGE TO INCREASE FIRING OR FOR ANY REASON.** Altering or tampering with air control beyond normal capacity will create unsafe and hazardous conditions.
8. Always connect this stove to a chimney and vent to the outside. Never vent to a room or inside a building. **DO NOT CONNECT THIS UNIT TO A CHIMNEY FLUE SERVING ANOTHER APPLIANCE.**
9. **DO NOT CONNECT A WOOD BURNING STOVE TO AN ALUMINUM TYPE B GAS VENT.** This is not safe. Use code-approved masonry chimney with flue liner or a manufactured Underwriters Laboratories Listed UL 103 HT (US)/ULC-S629 (CAN) Residential Type and Building Heating Appliance Chimney. Use a 6~/152mm diameter chimney, that is high enough to give a good draft. (See specifics in Chimney Connections instructions).
10. Be sure that your chimney is safely constructed and in good repair. Have the chimney inspected by the fire department or a qualified inspector. Your insurance company should be able to recommend a qualified inspector. Chimney connector pipe must be in good condition. Replace if necessary before using stove.
11. Creosote or soot may build up in the chimney connector and chimney and cause a house/building fire. Inspect the chimney connector and chimney twice monthly during the heating season and clean if necessary. (see Service Hints).
12. In the event of a chimney fire, turn the air controls to closed positions, leave the building and **CALL THE FIRE DEPARTMENT IMMEDIATELY!** Have a clearly understood plan on how to handle a chimney fire by contacting your local fire authority for information on proper procedures in the event of a chimney fire. After the fire is out, the chimney must be cleaned and inspected for any stress or cracks before starting another fire. Check the condition of any combustibles surrounding the chimney.
13. Ashes should not be allowed to accumulate above the top of the lower primary air orifice (LPAO, air vent at front of firebox, just inside of door, at the center).
14. **DISPOSAL OF ASHES**
Ashes should be placed in a steel container with a tight fitting lid and moved outdoors immediately. The closed container of ashes should be placed on a noncombustible floor or on the ground, well away from all combustible materials, pending final disposal. If the ashes are disposed of by burial in soil or otherwise locally dispersed, they should be retained in the closed container until all cinders have completely cooled. Other waste shall not be placed in this container.
15. To prevent injury, do not allow anyone use this stove who is unfamiliar with the correct operation.
16. Do not operate stove while under the influence of drugs or alcohol or lack of sleep.
17. **DO NOT ELEVATE THE FIRE.** Build fire directly on the bottom of the firebox. This stove has not been tested with the use of grates, andirons or other means of elevating the fire and must not be used.

18. During the first 12 to 15 fires the special paints and protective oils used in construction of your stove may give off some smoke and odor while they are curing. This should disappear after a short period of time and not occur again. Persons with lung conditions or owners of susceptible domestic pets (such as birds) should take prudent precautions. Open windows and doors as needed to clear smoke and/or odor. Paint discoloration will occur if the stove is over fired.
 19. This stove has a painted surface which is durable but it will not stand rough handling or abuse. When installing your stove, use care in handling.
 20. **CLEAN STOVE FREQUENTLY** as soot, creosote and ash may accumulate. Clean exterior with soap and warm water when stove is not hot. Do not use any acids or scouring soap, as these solvents wear and dull the finish.
 21. **ALERT ALL PERSONS TO THE HAZARDS OF HIGH SURFACE TEMPERATURES** while stove is in operation – especially young children. Keep away from a hot stove to avoid burns or clothing ignition.
 22. **NEVER LEAVE SMALL CHILDREN UNSUPERVISED WHEN THEY ARE IN THE SAME ROOM AS THE STOVE.** If small children will be in the same room as the stove during operation, provide a sturdy fire-proof barrier to keep them safe distance from the stove.
 23. Keep stove area clear and free from all combustible materials, gasoline, engine oil, naphtha and other flammable vapors and liquids.
 24. **WHILE TENDING THE FIRE ALWAYS WEAR PROTECTIVE CLOTHING**, fire retardant hearth gloves and eye protection, to prevent burns.
 25. Never operate this stove without ash drawer, ash clean out or with the door open except when refueling. Such actions can result in very dangerous operating conditions.
 26. **DO NOT OVER FIRE THE STOVE.** Over firing will occur if combustion air is uncontrolled as when feed door is left open during operation. Such actions can result in very dangerous operating conditions. While in operation, keep the feed door closed and secured at all times except while tending the fire
 27. When adding fuel be careful not to smother the fire. Do not build fires against glass and do not load fuel to a height or in such a manner that it creates a hazard when opening the door.
 28. **NEVER LEAVE THE STOVE UNATTENDED** with door open. Always close the door after ignition.
 29. **DO NOT CONNECT TO OR USE IN CONJUNCTION WITH ANY AIR DISTRIBUTION DUCTWORK UNLESS SPECIFICALLY APPROVED FOR SUCH INSTALLATIONS.**
 30. **A WOOD-BURNING STOVE MUST NEVER BE INSTALLED IN A HALLWAY OR NEAR A STAIRCASE**, as it may block egress in the event of a fire.
 31. **DO NOT INSTALL IN A SLEEPING ROOM.**
 32. Install at least one smoke detector on each floor of your home. Detectors should be located away from the heating appliance to avoid false alarms. Detectors should be located close to sleeping areas. Follow the smoke detectors manufacturer's placement and installation instructions. Maintain smoke detector per manufacturer's instructions.
 33. **CARBON MONOXIDE (CO) HAZARD.** A buildup of CO fumes is toxic and can be fatal. Carbon Monoxide is a colorless, odorless gas produced during combustion of wood, coal, oil, gas and by other fuel burning appliances. It is important to have a proper draft and adequate replacement air ventilation so fumes are drawn out the chimney. Installed as instructed this stove is designed to be as safe as possible yet it is recommended to **install a CO detector**. Follow the manufacturer's recommendations for proper installation and use. It is recommended to be placed at table-top level (not near the ceiling) to avoid false alarms. Realize that devices other than a stove (i.e. motor exhaust) can trigger CO alarms.
If alarm sounds:
 - Recognize the symptoms of CO poisoning (headaches, nausea & drowsiness).
 - Increase ventilation (open windows & doors).
 - Make sure stove doors and/or lids are closed and secured.
 - Check stove for smoking or puffing (open airflow controls).
 - Check chimney & connector pipe for leaks, blockage or down-draft conditions.
 - Check CO device for false alarm.
 34. Keep power cords, electrical appliances and/or assemblies outside of the clearance area shown in this manual for combustible materials.
 35. Consult your municipal building department or fire officials about restrictions, permits and installation requirements for your area.
 36. For further information on using your stove safely, obtain a copy of the National Fire Protection Association (NFPA) publication, "Using Coal and Wood Stoves Safely" NFPA No. HS-10-1978. Write NFPA, Batterymarch Park, Quincy, MA 02269.
- This wood heater has a manufacturer-set minimum low burn rate that must not be altered. It is against federal regulations to alter this setting or otherwise operate this wood heater in a manner inconsistent with operating instructions in this manual.**

⚠ WARNING: This product and the fuels used to operate this product (wood and wood pellets), and the products of combustion of such fuels, can expose you to chemicals including carbon black, which is known to the State of California to cause cancer, and carbon monoxide, which is known to the State of California to cause birth defects or other reproductive harm. For more information go to: www.P65Warnings.ca.gov.

TABLE OF CONTENTS

SAFETY INSTRUCTIONS	1 – 3
TABLE OF CONTENTS	4
LOCATING THE STOVE	5
MINIMUM CLEARANCES with SINGLE-WALLED PIPE	6
MINIMUM CLEARANCES ALCOVE and DOUBLE-WALLED PIPE	7
ASSEMBLY INSTRUCTIONS	8
FIREBRICK ASSEMBLY	9 - 10
CHIMNEY SIZING	10
CONNECTOR PIPE INSTALLATION	11
MOBILE HOME INSTALLATION INSTRUCTIONS.....	12
CHIMNEY CONNECTIONS/DRAFT.....	13 – 15
CHIMNEY CONNECTION SYSTEMS & CLEARANCES.....	16
OPERATING INSTRUCTIONS	
House Fire Hazards, Operating Precautions, Warnings	17
Wood Types/Sizes.....	17
Optimal Fuel Consumption	17 - 18
Starting a Fire	18 - 19
Adding Fuel	19 - 20
SERVICE HINTS	
Preventing Creosote Buildup.....	20
Chimney Draft	20 - 21
Glass Care & Replacement	21
Door Gasket Replacement	22
BAFFLE REMOVAL	23 - 24
PARTS – WoodPRO™ WS-TS-1500 Small Wood Stove	25 - 26
PARTS – WoodPRO™ WS-TS-2000 Medium Wood Stove.....	27 - 28
PARTS – WoodPRO™ WS-TS-2500 Large Wood Stove.....	29 - 30
BLOWER MAINTENANCE & WIRING DIAGRAM	31
FLOOR PROTECTOR CALCULATIONS	32
CHIMNEY & STOVE MAINTENANCE LOG.....	33
WARRANTY.....	34 - 35
CUSTOMER SERVICE INFORMATION.....	36

LOCATING THE STOVE

1. The stove must be placed on solid concrete, solid masonry, or when installed on a combustible floor, on an Underwriters Laboratories Listed Type 2 floor protector listed to UL standard UL 1618, such as Hy-C or Imperial Model UL4056BK. Floor protector **must be 1/2"/13mm minimum thickness (R value = 1.19, K value = 0.84** see page 23 for calculation formulas) non-combustible material or equivalent. The floor protector must extend at least 18"/46cm beyond the front of the access door, 8"/21cm to the sides, 8"/21cm beyond the rear and must extend under and 2"/50mm beyond either side of the stove pipe if it is elbowed towards a wall. (See figures 4 – 6 and consult local building codes and fire protection ordinances.)

CAUTION: FIRE HAZARD. CARPETING AND OTHER COMBUSTIBLE MATERIAL SHALL NOT COVER THE FLOOR PROTECTOR. THESE MATERIALS MUST REMAIN OUTSIDE OF COMBUSTIBLE CLEARANCES, SEE FIG. 4 – 6

2. The room in which the stove is installed must have a minimum floor to ceiling height of 7 ft. (2.13 m).
3. The stove must have its own flue. Do not connect this unit to a chimney flue serving other appliances. **DO NOT CONNECT TO ANY AIR DISTRIBUTION DUCT OR SYSTEM.**
4. After observing the clearances to combustible materials (figures 4 – 6), locate your floor protector accordingly (figure 4) and carefully place the stove in your selected location. Install connector pipe, elbows, and thimble as required, utilizing either a recently cleaned and inspected 6"/152mm lined masonry chimney or a 6"/152mm i.d. manufactured chimney system listed to UL 103 HT (US)/ULC-S629 (CAN).
5. Use round 6"/152mm dia., minimum 24 MSG black or 26 MSG blue steel stove pipe to connect the stove to the chimney. Do not use galvanized stove pipe. **NOTE: Mobile home installations require double-wall UL 103 HT high-temp connector pipe.** Secure connector pipe to the flue collar with three (3) equally spaced sheet metal screws to

firmly hold the pipe sections together. **DO NOT CONNECT THIS STOVE TO ANY AIR DISTRIBUTION OR DUCT SYSTEM.**

6. Recheck clearances from the stove, connector stove pipe, and corner clearances using the illustrations in figures 4 – 6 and your local building codes or fire protection ordinances.

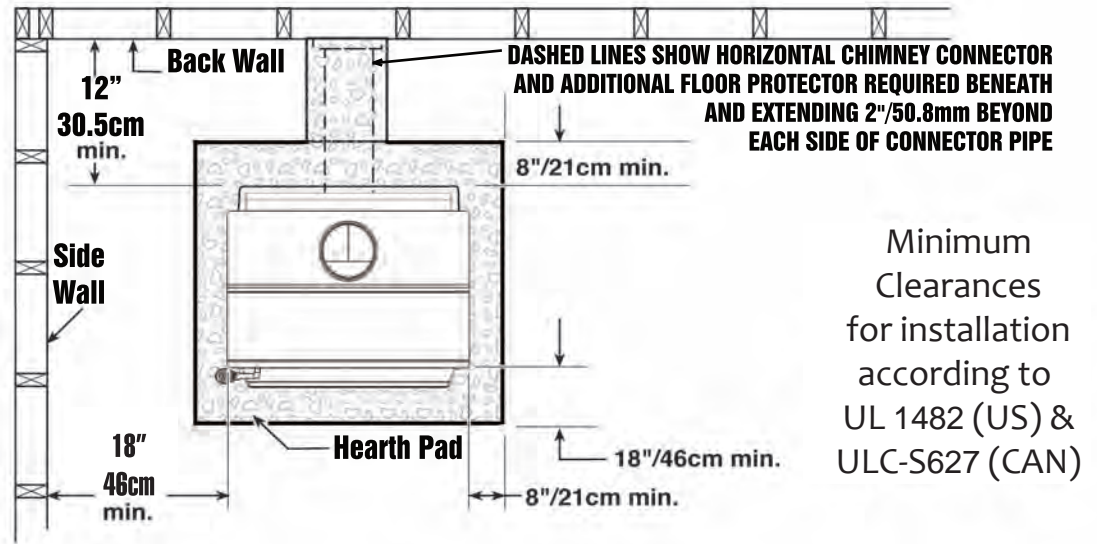
NOTE: ANY WALL CONTAINING COMBUSTIBLE MATERIAL SUCH AS WOODEN STUDS OR DRYWALL AND FACED WITH BRICK OR STONE MUST BE CONSIDERED A COMBUSTIBLE SURFACE.

7. **NOTICE: for installation in a manufactured/mobile home (USA only), please see specific requirements on page 13.**
8. The clearances provided are minimum dimensions set by US standard UL 1482-2011 & ULC-S627-00, tested and applied by Polytests Services, Inc. the manufacturer's testing agency.
Clearances listed and shown **MUST** be adhered to for safe operation of this appliance. **CLEARANCES MAY NOT BE REDUCED BY ANY MEANS IN USA OR CANADA.**
9. This stove meets U.S. Test Standard: UL 1482-2011 & Canadian Standard: ULC-S627-00.

CAUTION: KEEP FURNISHINGS AND OTHER COMBUSTIBLE MATERIALS AWAY FROM THE STOVE.

NOTE: BEFORE FIRING WOODSTOVE SLIDE FIREBRICKS TOWARDS THE REAR SO NO GAPS REMAIN BETWEEN BRICKS.

NOTE: SERIAL NUMBER / SAFETY LABEL IS LOCATED ON BACK OF UNIT.



Minimum Clearances for installation according to UL 1482 (US) & ULC-S627 (CAN)

Figure 4 – TOP VIEW Minimum Clearance (Single-Walled Pipe) Dimensions from Combustible Surfaces

NOTE:

See Figure 5d on page 8 for Double-Walled Pipe Clearances.

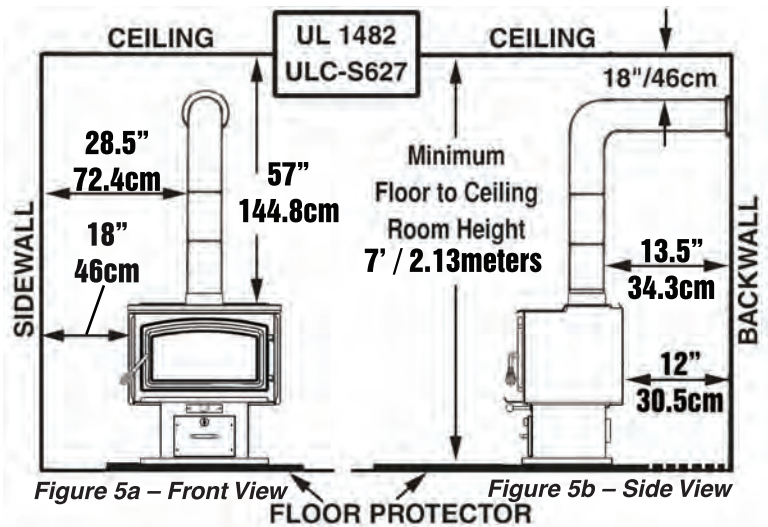
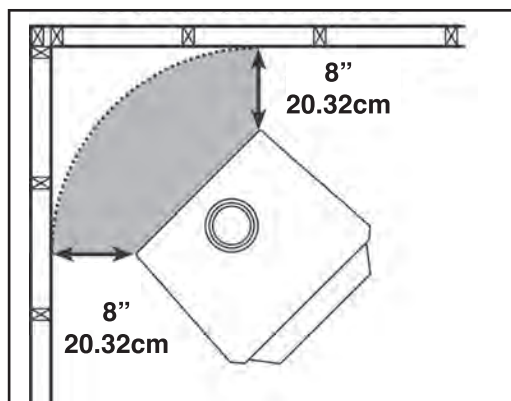


Figure 5 - Front View of Minimum Clearance Dimensions (Single-Walled Pipe) from Combustible Surfaces

Figure 6a – SPECIAL INSTALLS-Top View of Minimum Corner Clearances from Combustible Surfaces (US & CAN)



CAUTION: NEVER REMOVE REAR HEAT SHIELD FROM STOVE. THE REAR HEAT SHIELD IS REQUIRED FOR INSTALL.

continued on next page

Figures 6b and 6c – SPECIAL INSTALLS

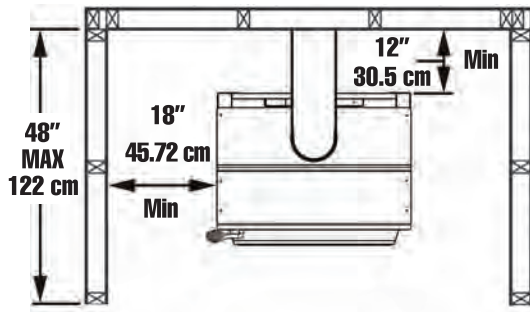


Figure 6c - Top View of Alcove Clearances from Combustible Surfaces (US & CAN)

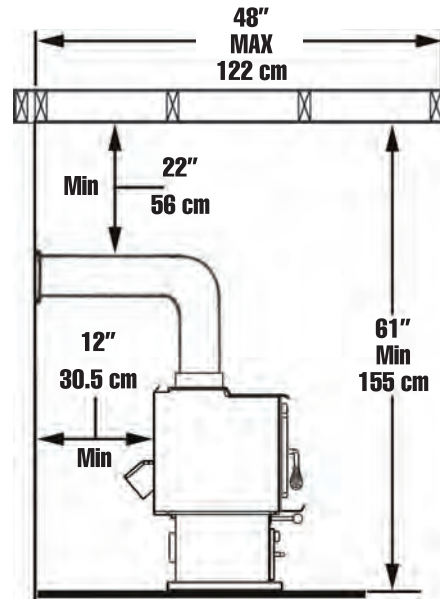
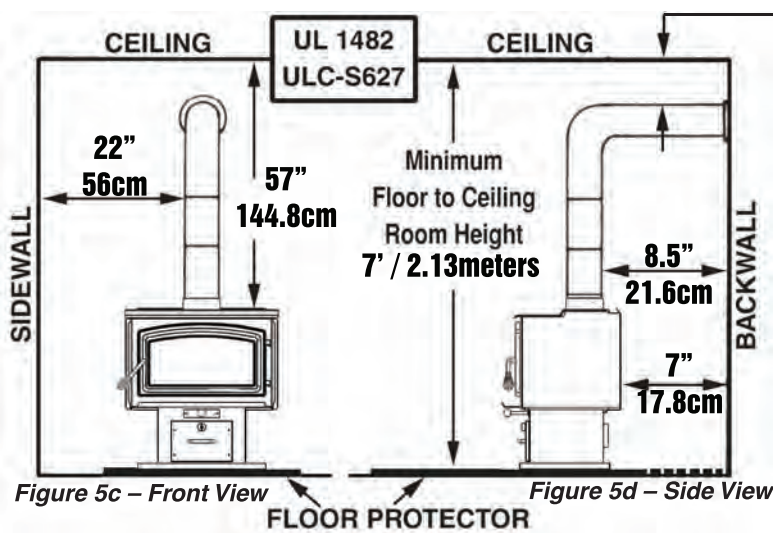


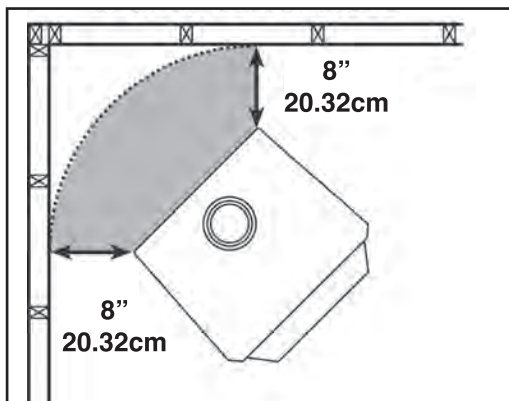
Figure 6c - Side View of Clearances from Combustible Surfaces (US & CAN)

Figures 5 (continued) – Minimum Clearance (Double-Walled Pipe) Dimensions from Combustible Surfaces



Always refer to pipe manufacturer specifications for clearance from pipe to ceiling!

Figure 6a – SPECIAL INSTALLS-Top View of Minimum Corner Clearances from Combustible Surfaces (US & CAN)



CAUTION: NEVER REMOVE REAR HEAT SHIELD FROM STOVE. THE REAR HEAT SHIELD IS REQUIRED FOR INSTALL

continued on next page

ASSEMBLY INSTRUCTIONS

TOOLS AND MATERIALS REQUIRED FOR INSTALLATION

TOOLS

- Pencil
- 6 ft/2m Folding Rule or Tape Measure
- Tin Snips
- Drill: Electric
- 1/8"/3mm dia. Drill Bit (for sheet metal screws)
- Screwdriver (philips)
- Safety Glasses
- Gloves

MATERIALS

(NOTE: The following items are NOT included with your stove)

Flooring Protection: as specified (see page 7)

Chimney Connector Pipe: 6"/152mm dia. minimum 24 MSG black or 26 MSG blue steel straight stove pipe or elbow(s).

1/2"/13mm Sheet Metal Screws

Chimney: Existing 6" Code-approved lined masonry chimney or 6" inside dia. manufactured chimney system listed to UL 103 HT (US)/ULC-S629 (CAN) listed.

Furnace Cement (manufacturer recommends Rutland Code 78 or equivalent)

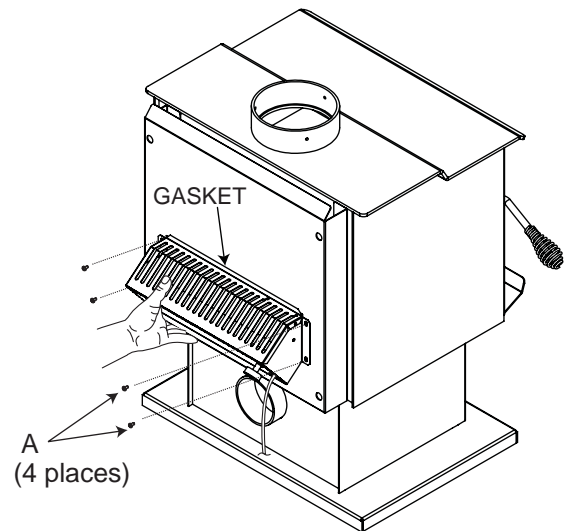
Outside Air Kit (if required)

CAUTION: STOVE IS HEAVY. ENSURE ADEQUATE HELP AND USE PROPER LIFTING TECHNIQUES WHENEVER MOVING STOVE.

1. Uncrate the stove and remove all packing materials and protective poly bag. Remove blower and hardware pack from inside the firebox.

INSTRUCTIONS ON BLOWER ATTACHMENT

Figure 2 – Attach Blower to Stove Body



1. For Blower Assembly, note the position of the blower opening in the rear of the stove (fig. 2).
2. Mount the blower assembly to the back of the stove aligning the fan opening to the opening in the back of the stove. Secure with four sheet metal screws.
3. Route the power cord away from stove. Do not allow the power cord to touch any hot surfaces. Keep power cord at least 12" from stove surfaces.
4. Once stove is positioned, plug power cord into a grounded 120v outlet.

FIREBRICK ASSEMBLY

Firebrick extends the life of your stove and radiates heat more evenly. Check to see that all firebricks are in their correct positions and have not become misaligned during shipping or assembly. If removed for ease of locating stove, **firebrick must be replaced before firing**. See figures 7 for proper positioning in your stove.

CAUTION: NEVER OPERATE STOVE WITH MISSING FIREBRICKS!

1. Always carefully remove the series A firebricks at the beginning of disassembly. The series B firebricks may be removed secondly. Once these have been removed, you may proceed to remove the series C firebricks at the back being extra careful not to damage the ceramic fiber board they rest upon (WS-TS-2500, only).
2. Replace firebrick in the reverse order of disassembly. Be sure that no firebrick fits too tight as the brick will expand when the stove is fully up to temperature.
3. To remove the series D firebricks, please refer to the BAFFLE ASSEMBLY section on page 23.

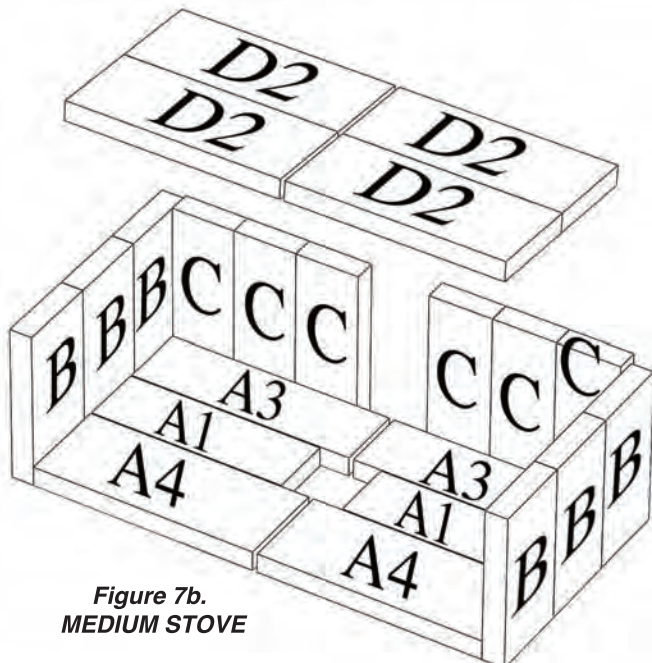


Figure 7b.
MEDIUM STOVE

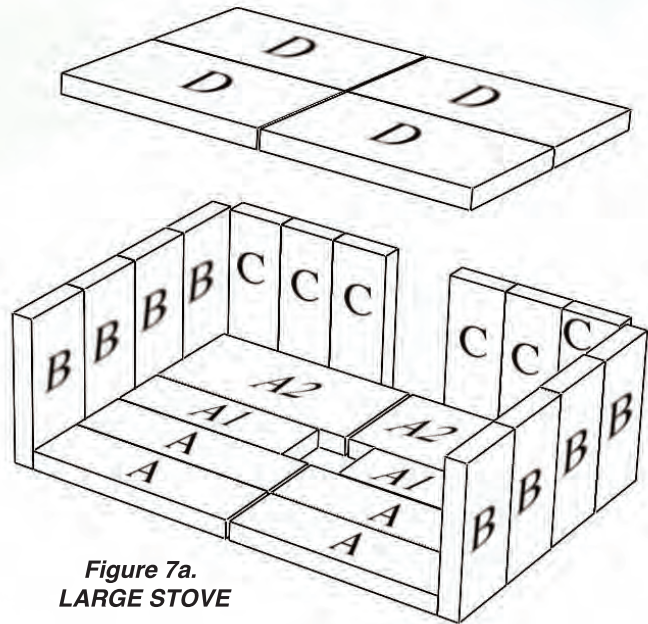


Figure 7a.
LARGE STOVE

Firebrick Type	Qty	Size in Inches	Size in Millimeters
Series A:	4	3.35" X 11.1"	85mm X 282mm
Series A1:	2	3.15" X 9.6"	80mm X 244mm
Series A2:	2	5.7" X 11.1"	145mm X 282mm
Side Firebrick			
Series B:	8	4" X 7.9"	102mm X 200mm
Rear Firebrick			
Series C:	6	3.1" X 7.9"	78mm X 200mm
Baffle Firebrick			
Series D:	4	6.9" X 10.7"	176mm X 272mm
LARGE STOVE ONLY			

Firebrick Type	Qty	Size in Inches	Size in Millimeters
Series A1:	2	3.15" X 9.6"	80mm X 244mm
Series A3:	2	3.5" X 11.1"	85mm X 282mm
Series A4:	2	4.53" X 11.1"	115mm X 282mm
Side Firebrick			
Series B:	6	4" X 7.9"	102mm X 200mm
Rear Firebrick			
Series C:	6	3.1" X 7.9"	78mm X 200mm
Baffle Firebrick			
Series D2:	4	4.57" X 10.63"	116mm X 270mm
MEDIUM STOVE ONLY			

<i>Firebrick Type</i>	<i>Qty</i>	<i>Size in Inches</i>	<i>Size in Millimeters</i>
<i>Series A5:</i>	2	4.33" X 8.86"	110mm X 225mm
<i>Series A6:</i>	2	3.23" X 7.4"	82mm X 188mm
<i>Series A7:</i>	2	3.23" X 8.86"	82mm X 225mm
<i>Side Firebrick</i>			
<i>Series B:</i>	6	4" X 7.9"	102mm X 200mm
<i>Rear Firebrick</i>			
<i>Series C1:</i>	4	3.58" X 7.9"	91mm X 200mm
<i>Baffle Firebrick</i>			
<i>Series D1:</i>	4	4.72" X 8.5"	120mm X 215mm
SMALL STOVE ONLY			

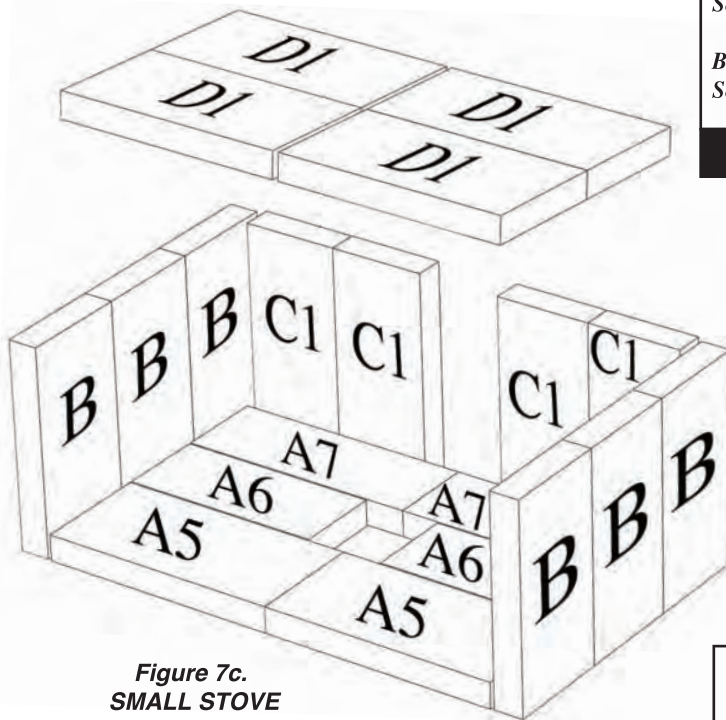


Figure 7c.
SMALL STOVE

CAUTION: NEVER OPERATE STOVE WITH MISSING FIREBRICKS!

CHIMNEY SIZING

Today's solid fuel heating appliances are much more efficient than those made in the past. Your heating appliance has been designed to provide the most efficient transfer of heat possible from the least amount of fuel.

Controlled combustion is the key to optimum heating performance. Controlled combustion requires a flow of fresh air into the appliance, across the fuel and is finally exhausted up the chimney.

Today's high efficiency stoves transfer more heat into the living area and less up the chimney. Exhaust gases are typically at a lower temperature than traditional type stoves. With lower exhaust temperatures, it is important that the chimney is correctly sized to the

stove. If the chimney diameter is too large, it will be difficult to raise the chimney flue temperature to provide for adequate draft. This may result in a poor burn, smoke spillage, and rapid creosote creation. A 6"/152mm diameter chimney is best suited for this stove.

Your heating appliance must have a minimum of a 6"/152mm diameter chimney. Maximum chimney diameter must not exceed 10" /254mm or have a cross sectional area greater than 85 sq. in. /550cm

Proper draft for this heating appliance is minimum of 0.05 w.c. (water column measurement) and is required to prevent back puffing, smoke spillage and prevent safety hazards.

NOTE: PIPE IS *NOT INCLUDED*. TO PURCHASE VISIT YOUR LOCAL HARDWARE, HOME, OR BUILDING CENTER. SEE “LOCATING STOVE” PAGE 6 FOR ADDITIONAL SPECIFICATIONS.

Single wall pipe is used to make the connection from the final positioning of your stove to an approved chimney. Pipe is **NOT** included as part of the stove. Pipe must be 6”/152mm diameter minimum of 24 MSG (minimum standard gauge) black or 26 MSG blue steel stove pipe.

NOTICE: FOR MOBILE HOME INSTALLATIONS (US ONLY), PIPE MUST BE DOUBLE-WALL, HIGH-TEMPURATURE PIPE THAT MEETS UL 103 HT SPECIFICATIONS.

Any pipe used must be in good condition. Replace if necessary before using stove. Pipe is not rated to provide close contact to combustible materials and must have proper clearance from combustible materials as shown in the clearance diagrams on the previous pages. Pipe should never be used in place of a chimney. If proper clearances are not observed a house fire could result.

INSTALLATION INSTRUCTIONS

Please Note: Installation of a flue damper is **NOT recommended**. Combustion control is regulated by the intake of combustion air, not the exhaust.

- 1. The crimped end of the stovepipe fits inside the stove flue collar. Secure with three (3) equally spaced sheet metal screws. The first section of connector pipe must be single walled to properly attach to the stove collar. Install additional pipe and elbow with the crimped end towards the stove. This will allow any condensation in the flue to run back into the firebox.

- 2. Horizontal pipe runs must slope upwards towards the chimney at least 1/4”/6.4mm per foot of horizontal run.
- 3. You must have at least 18”/457mm of clearance between any horizontal piping and the ceiling.
- 4. The pipe cannot extend into the chimney flue (figure 8).
- 5. Secure all pipe/elbow sections with three (3) equally spaced sheet metal screws at each joint to make the piping rigid. **DO NOT CONNECT THIS STOVE TO ANY AIR DISTRIBUTION DUCT OR SYSTEM.**
- 6. It is recommended that no more than two (2) 90° bends be used in the stovepipe installation. The use of more than two 90° bends may decrease the amount of draw and possibly cause smoke spillage. Where possible, use only corrugated (non adjustable) elbows. These provide a better seal.
- 7. The pipe must not pass through an attic or roof space, trusses, closet, or any concealed space, floor, ceiling, wall, or combustible construction. (See Chimney Connector Systems & Clearances, page 17.) A manufactured chimney system listed to UL 103 HT (US)/ULC-S629 (CAN) must be used from the first penetration of ceiling or wall to the chimney cap.

Where passage through a wall or partition of combustible construction is desired, the installation shall conform to Chimney manufacturer’s instructions.

WARNING: DO NOT USE SINGLE WALL PIPE AS A CHIMNEY - A HOUSE FIRE COULD RESULT.

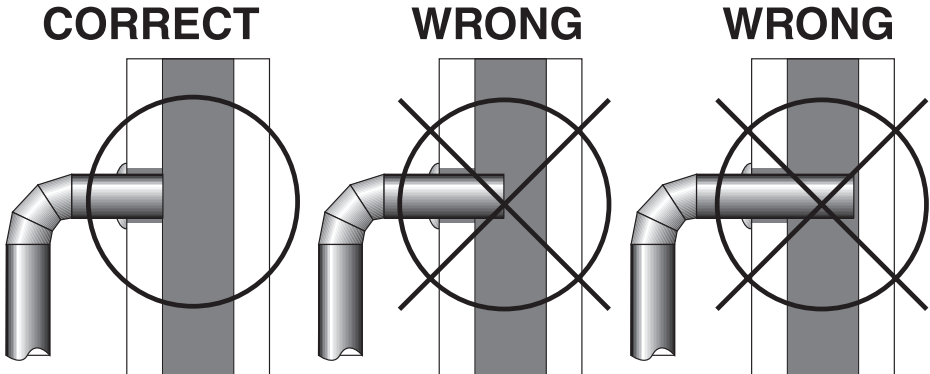


Figure 8 – Stovepipe/Flue Connections

This stove is approved for mobile home installation in the USA only (DO NOT INSTALL IN MOBILE HOMES IN CANADA). In addition to the installation and safety instructions, the following requirements are **MANDATORY** for installation in a mobile home. All mobile home installations must be made in accordance to Manufactured Home and Safety Standard (HUD), CFR 3280, part 24.

1. The stove must be permanently bolted to the floor to prevent movement of the stove. Movement of the stove could separate the outdoor air connection and/or chimney connection and create an unsafe operating condition.. Examine floor structural members to make sure that the weight of the installation can be supported.
2. **CAUTION: THE STRUCTURAL INTEGRITY OF THE MOBILE HOME FLOOR, WALL, AND CEILING/ROOF MUST BE MAINTAINED.**
3. The stove must be electrically grounded to the steel frame of the Mobile Home. The stove must be grounded using a #8 ga. ground wire with approved termination and star washer.
4. The floor protection and specified clearances noted elsewhere in this manual must be maintained.
5. The unit must have a permanent outside air source for combustion. The combustion air intake system must be of metal construction. Minimum diameter for the intake ducting is 4 inches. The air intake must be screened to prevent the entrance of rodents. The outside air inlet must be kept free of leaves, snow, ice, or other debris that could restrict air supply when the appliance is in operation.
6. **WARNING: DO NOT INSTALL IN A SLEEPING ROOM.**
7. **WARNING: DO NOT USE SINGLE WALL CONNECTOR PIPE ANYWHERE IN A MOBILE HOME INSTALLATION.** A listed double-wall chimney connector system, ceiling thimble, roof thimble, spark arrestor, and roof flashing suitable for use in Mobile Homes must be used. All components of the chimney and connector system must be of the HT type and listed to UL 103 HT. Install per chimney manufacturer's instructions.
8. The openings in the chimney cap must not permit the entrance of a 1/2"/13mm diameter rod.
9. If the chimney exits the Mobile Home at a location other than through the roof, and exits a point 7 ft.

/ 2.13m or less above the ground upon which the Mobile Home is set upon, a guard shall be fitted at the point of exit up to 7 ft./2.13m.

10. The chimney shall be attached directly to the room heater and shall extend at least 3 ft./91.4cm above the part of the roof through which it passes. The top of the chimney must project at least 2 ft./60.1cm above the highest elevation of any part of the Mobile Home within 10 ft./3.1m of the chimney.
11. Use high-temperature silicone to seal at the location where the chimney and fresh air supply system penetrates the exterior of the structure.

DO NOT USE ANY URETHANE FOAM SEALANTS TO FILL VOIDES OR CRACKS AROUND THE STOVE PIPE

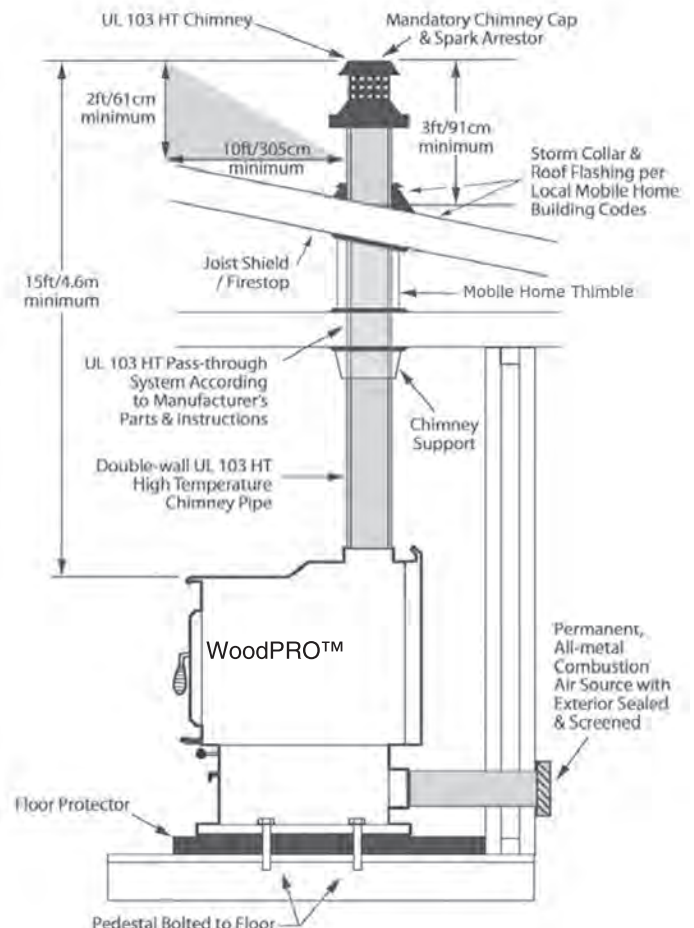


Figure 9 – Mobile Home Installation

12. The chimney system must comply with all local fire codes and governmental requirements.
13. Stove must be tightly secure to the floor and not move if lateral force is applied.

CHIMNEY CONNECTIONS

The stove must be connected to either a lined masonry or manufactured metal chimney built and tested to the specifications listed on the previous pages.

Chimneys perform two functions:

- 1). As a means of exhausting smoke and flue gases which are the result of fuel combustion.
- 2). The chimney (only) provides "draft" which allows oxygen to be continuously introduced into the appliance, so that proper combustion is possible. This stove relies on natural draft to operate.

NOTICE: Always provide a source of fresh air into the room where the stove is located. Failure to do so may result in air starvation of other fuel burning appliances and the possible development of hazardous conditions.

A stove **DOES NOT** create draft. **Draft is provided by the chimney.** To achieve proper draft your chimney must meet the four minimum height requirements detailed in figures 11–14. **If these minimum requirements are not met your stove will not operate properly.** A minimum of 0.05 w.c. (measured in water column) is required for proper drafting to prevent back puffing, smoke spillage, and to maximize performance. (Gauges to measure draft are readily available at stove stores and are economical to rent or purchase.)

Factors such as wind, barometric pressure, trees, terrain and chimney temperature can have an adverse effect on the draft. The manufacturer cannot be held responsible for external factors leading to less than optimal drafting.

Should you have a problem with inadequate draft, you should contact a licensed heating and cooling contractor for assistance in solving the problem.

For a more in-depth explanation see Chimney Draft on page 21.

IMPORTANT Installation Points

1. Size chimney flue to stove collar. This stove requires a minimum of a 6"/152mm diameter flue.
2. Never connect this unit to a chimney serving another appliance.
3. The chimney must meet all minimum height requirements.
4. Never use a chimney to ventilate a cellar or basement.
5. Contact your local building authority for approved methods of installation and any necessary permits and/or inspections.

MASONRY CHIMNEY

The chimney must be a code-approved, masonry chimney with flue liner. Before using an existing masonry chimney, clean the chimney, inspect the flue liner and make any repairs needed to be sure it is safe to use. Make repairs before attaching the stove. The connector stove pipe and fittings you will need to connect directly to a lined masonry chimney are shown in figure 10.

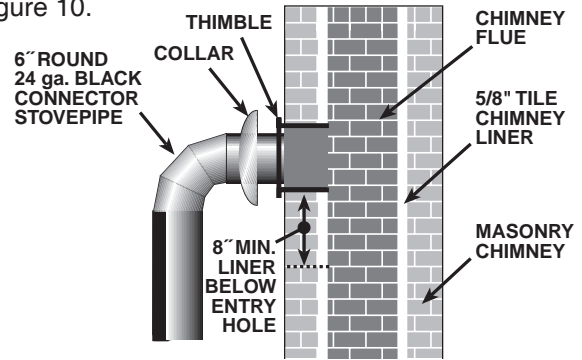


Figure 10 - Masonry Chimney Connection

If the connector stove pipe must go through a combustible wall before entering the masonry chimney, consult a qualified mason or chimney dealer. The installation must conform to local building and fire codes and latest edition of NFPA 211 US or CAN/CSA-B365.

If there is a clean out opening in the base of the chimney, close it tightly.

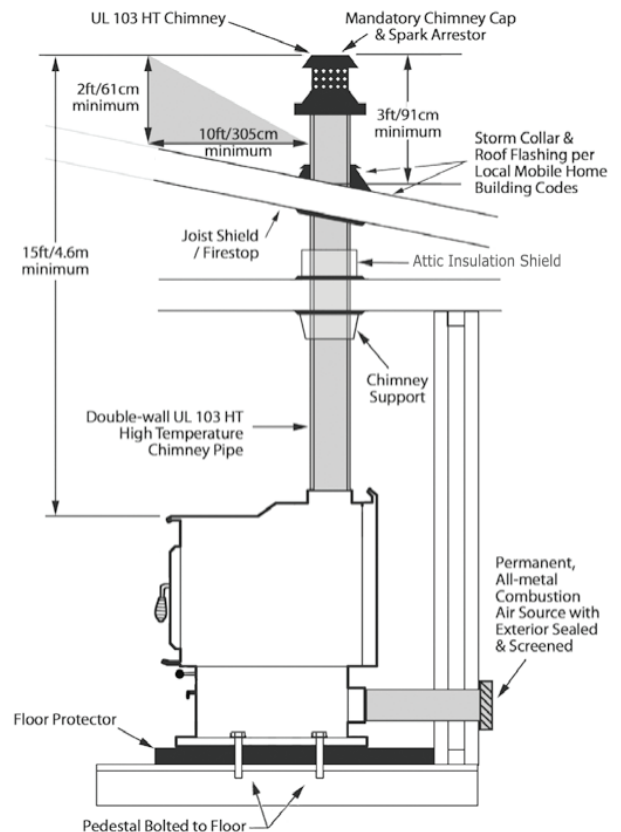


Figure 11 - Chimney Construction through Attic Space

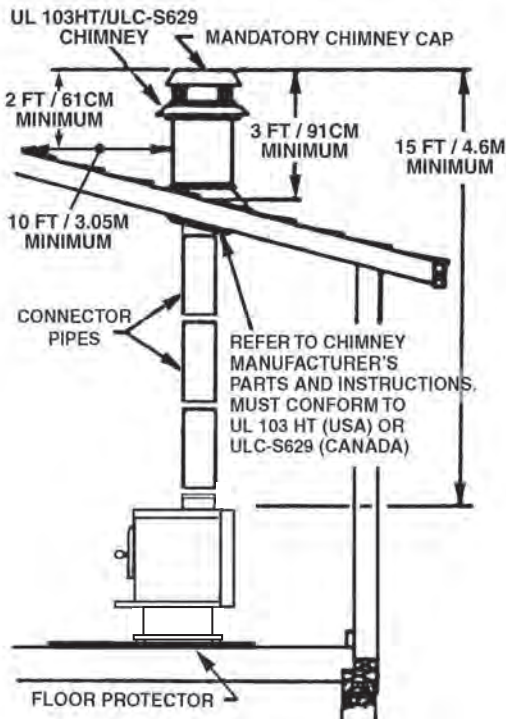


Figure 12 - Chimney Construction through Roof

Chimney Minimum Height Requirements:

- (1) Overall Height – 15 ft./4.6m min.
- (2) Height above roof – 3 ft./91cm
- (3) Height above slope – 2 ft./61cm min. within 10 ft./3.05m
- (4) Minimum rise before horiz. section – 24 in./61cm

NOTICE: If minimum chimney requirements are not met, your stove will not operate properly.

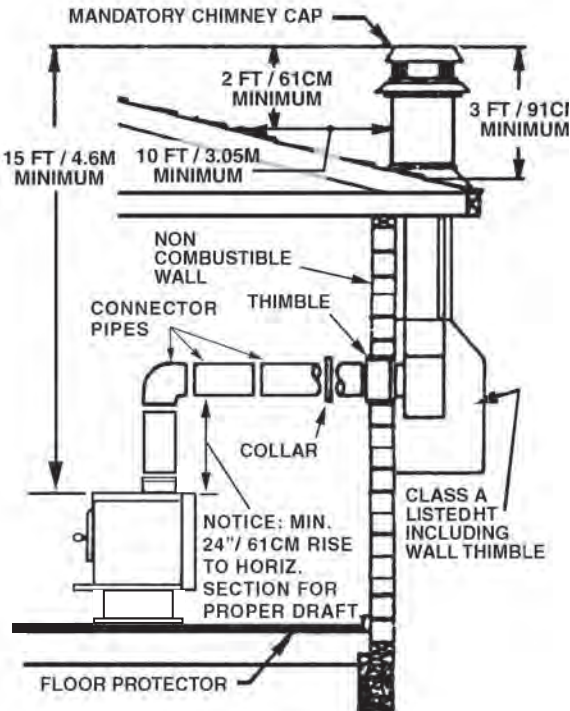


Figure 13 - Chimney Connection to Firebox through Masonry Wall

MANUFACTURED CHIMNEY

REFER TO CHIMNEY AND CHIMNEY CONNECTOR MAKER'S INSTRUCTIONS FOR INSTALLATION AND USE.

Use only 6"/152mm diameter manufactured chimney system listed to UL 103 HT (US) or ULC-S629 (CAN). Chimney made to this listing is High Temperature rated to 2100°F/1149°C. Use chimney from only one manufacturer. Never mix brands. Carefully follow the chimney manufacturer's stated requirements and clearances. Use the chimney manufacturer's attic insulation shield, roof supports, flashing and fire stops when passing through a ceiling. Use a listed wall pass-thru when passing through a combustible wall. Do not use makeshift compromises during installation.

WARNING: DO NOT USE A SINGLE-WALL CONNECTION PIPE AS A CHIMNEY!

When using a pre-existing chimney, have its condition and installation inspected before using. Make sure that the chimney meets all of the UL rating requirements listed above. Be aware that not all manufactured chimney is UL 103 HT/ULC-S629 rated.

NOTE: It is recommended that you contact a licensed heating and cooling contractor for chimney installation.

Manufactured chimney with the proper required UL/ULC listing is available from most home centers, hardware stores, and HVAC supply stores.

You may wish to view chimney manufacturers' information on-line. See, www.duravent.com, www.selkirkinc.com or www.mtlfab.com.

VENTING TO EXISTING FIREPLACE

In some instances, people desire to convert an existing fireplace for stove use. Usually, safe connection to an existing masonry chimney requires more work than using a prefabricated chimney. The existing fireplace must be closed and sealed at the damper with high-temperature caulk, ceramic wool, or furnace cement. Prior to installation, clean and inspect the existing flue and smoke shelf. Installation should be designed so the system can be dismantled for periodic cleaning and inspection. **Before conversion, make sure the existing chimney is structurally sound, the chimney incorporates a flue liner and make sure it is in good condition.** (A flue liner consists of clay tile that protects the brickwork of a chimney. If a chimney does not have a liner, or it is damaged, have it relined by a professional. **Do Not use a chimney that is unlined or damaged!**) If you have any question regarding the condition of the chimney, consult a qualified licensed contractor, qualified engineer, competent mason, cer-

continued on next page

tified Chimney Sweep, or a knowledgeable inspector. Consult your insurance company if you cannot find a qualified expert.

CAUTION: NOT ALL FIREPLACE CHIMNEYS ARE SUITABLE FOR CONVERSION TO ACCOMMODATE CONNECTION TO A WOOD STOVE. CHECK WITH A QUALIFIED EXPERT.

Many prefabricated fireplaces are of the “zero-clearance fireplace” category. These consist of multi layered metal construction. They are designed with enough insulation and/or air cooling on the base, back and sides so they can be safely installed in direct contact with combustible floors and walls. Although many prefabricated fireplaces carry endorsements from nationally recognized organizations for use as fireplaces, they have not been tested for connection to wood stove heaters. Connecting a stove to such a device will void the manufacturer’s warranty.

Venting a stove directly into a fireplace does not meet code and should not be attempted. The stove warranty will be void with such an installation. Do not create a hazard in your home by connecting in this manner.

FIREPLACE INSTALLATION

NOTE: DO NOT ATTEMPT TO ROUTE THE CHIMNEY CONNECTOR PIPE THROUGH THE THROAT OF THE FIREPLACE. Directly connecting the stovepipe into the existing masonry chimney (figure 14 “Type A” Fireplace Conversion) of the fireplace is the **ONLY** approved method of installation. If the chimney is behind a combustible wall, you must use an approved wall pass-through system to gain access to the chimney. This is a complicated and involved process and to ensure safety should only be done by a qualified installer.

1. An entry hole must be cut through the masonry and tile liner with minimal damage to the liner. At least

8”/203mm of liner must remain below the entry position. When locating the stove and stovepipe, all minimum clearances must be observed from combustible surfaces including mantels, combustible trim work, ceilings, and walls. Positioning the center of the stove pipe entry into the chimney 24”/61cm below the ceiling should insure proper clearance for a 6”/152mm stovepipe.

2. Install a fire clay (5/8”/16mm minimum thickness) thimble. Make sure the thimble is flush with the inner surface of the chimney liner and does not protrude into the flue (see figure 9 on page 13).
3. Secure the thimble with refractory mortar. The thimble should be surrounded by 12”/305mm of solid unit masonry brickwork or 24”/61cm of stone.
4. Install the stovepipe into the thimble as far as possible without extending past the flue lining (see figures 8 & 10 on pages 12 & 13).
5. A small airspace (about 1/2”/13mm) should remain between the stovepipe and thimble to allow for expansion of the pipe. Seal this airspace with high-temperature caulking or ceramic wool.
6. Secure and seal the damper in the closed position using high-temp caulking, ceramic wool, or furnace cement. Also check to see if the chimney has a clean out. If it does, make sure it is closed and sealed as well. A leaky clean out will greatly reduce draft efficiency.

If you have any questions regarding venting your stove, contact the manufacturer or contact: the National Fire Protection Association (NFPA) and request a copy of the latest editions of NFPA Standard 211 and NFPA Standard 908. Their address is: Battery March Park, Quincy, MA 02269.

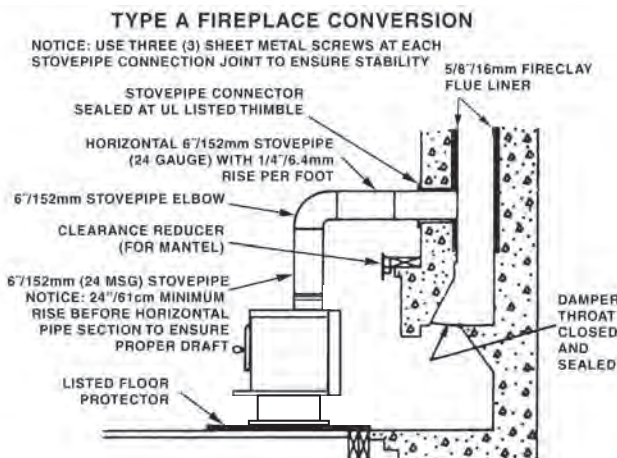
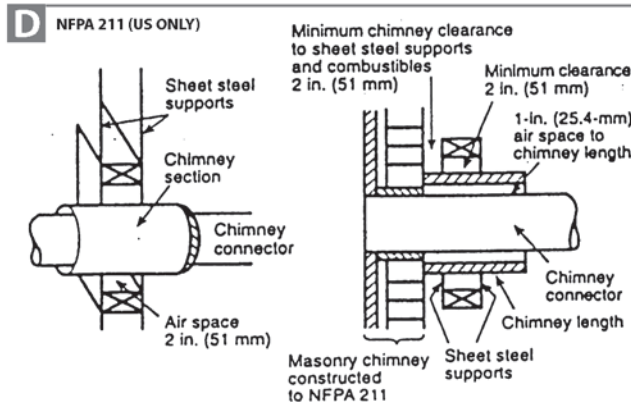
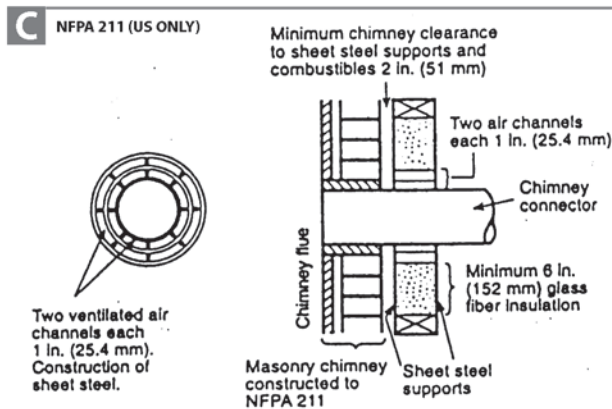
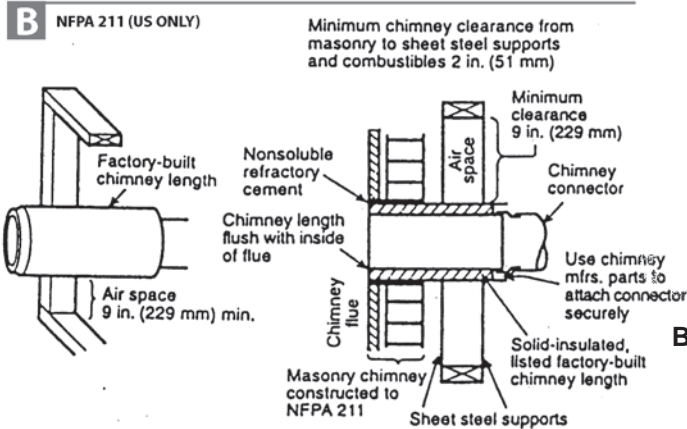
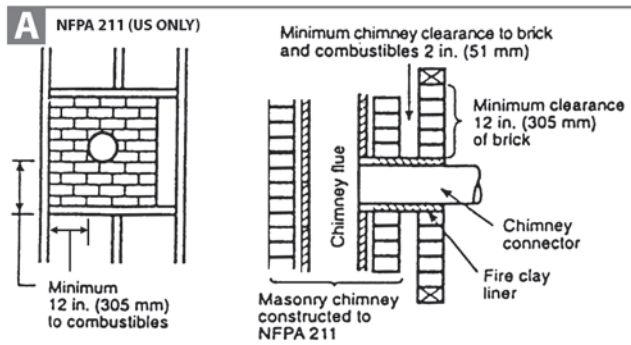


Figure 14 - Fireplace Conversion

Draft is the force which moves air from the appliance up through the chimney. The amount of draft in your chimney depends on the length of the chimney, local geography, nearby obstructions and other factors. Too much draft may cause excessive temperatures in the appliance and may damage the catalytic combustor. Inadequate draft may cause backpuffing into the room and ‘plugging’ of the chimney. Inadequate draft will cause the appliance to leak smoke into the room through appliance and chimney connector joints. An uncontrollable burn or excessive temperature indicates excessive draft.

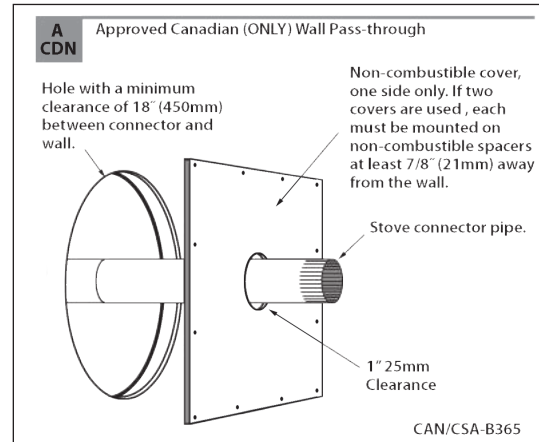
CHIMNEY CONNECTOR SYSTEMS & CLEARANCES

NFPA 211 (US) NOTE: In Canada, installation must conform to CAN/CSA-B365 when passing through combustible construction.



A. Brick Masonry

Minimum 3.5"/89mm thick brick masonry all framed into combustible wall with a minimum of 12"/305mm brick separation from clay liner to combustibles. The fireclay liner shall run from outer surface of brick wall to, but not beyond, the inner surface of chimney flue liner and shall be firmly cemented in place.



B. Insulated Sleeve

Solid-insulated, listed factory-built chimney length of the same inside diameter as the chimney connector and having 1"/25.4cm or more of insulation with a minimum 9"/229mm air space between the outer wall of the chimney length and combustibles.

C. Ventilated Thimble

Sheet steel chimney connector, minimum 24 gauge in thickness, with a ventilated thimble, minimum 24 gauge in thickness, having two 1"/25.4mm air channels, separated from combustibles by a minimum of 6"/152mm of glass fiber insulation. Opening shall be covered, and thimble supported with a sheet steel support, minimum 24 gauge in thickness.

D. Chimney Section Pass-through

Solid insulated, listed factory-built chimney length with an inside diameter 2"/51mm larger than the chimney connector and having 1"/25.4mm or more of insulation, serving as a pass-through for a single wall sheet steel chimney connector of minimum 24 gauge thickness, with a minimum 2"/51mm air space between the outer wall of chimney section and combustibles. Minimum length of chimney section shall be 12"/305mm chimney section spaced 1"/25.4mm away from connector using sheet steel support plates on both ends of chimney section. Opening shall be covered, and chimney section supported on both sides with sheet steel support securely fastened to wall surfaces of minimum 24 gauge thickness. Fasteners used to secure chimney section shall not penetrate chimney flue liner.

OPERATING INSTRUCTIONS

CAUTION: HOUSE FIRE HAZARDS

- **DO NOT STORE WOOD ON FLOOR PROTECTOR, UNDERNEATH STOVEPIPE, OR ANYWHERE WITHIN MINIMUM CLEARANCES FROM COMBUSTIBLE SURFACES SPECIFIED FOR THIS STOVE.**
- **OVER FIRING MAY CAUSE A HOUSE FIRE. YOU ARE OVER FIRING IF A UNIT OR CHIMNEY CONNECTOR GLOWA RED.**

OPERATING SAFETY PRECAUTIONS

1. **NEVER OVER FIRE THIS STOVE BY BUILDING EXCESSIVELY HOT FIRES AS A HOUSE/ BUILDING FIREWAY RESULT. YOU ARE OVER FIRING THE STOVE IF UNIT OR STOVEPIPE BEGINS TO GLOW OR TURN RED.**
2. **NEVER BUILD EXTREMELY LARGE FIRES IN THIS TYPE OF STOVE AS DAMAGE TO THE STOVE OR SMOKE LEAKAGE MAY RESULT.**
3. **ON MODELS WITH GLASS DOOR, DO NOT BUILD FIRE TOO CLOSE TO GLASS. DO NOT OPERATE WITH CRACKED OR BROKEN GLASS.**
4. **UNIT IS HOT WHILE IN OPERATION. KEEP CHILDREN, CLOTHING, AND FURNITURE AWAY. CONTACT MAY CAUSE SKIN BURNS. DO NOT TOUCH THE STOVE AFTER FIRING UNTIL IT HAS COOLED.**
5. **PROVIDE AIR INTO THE ROOM FOR PROPER COMBUSTION.**
6. **INSPECT STOVEPIPE EVERY 60 DAYS. REPLACE IMMEDIATELY IF STOVEPIPE IS RUSTING OR LEAKING SMOKE INTO THE ROOM.**

WARNING: EXPLOSION HAZARD

- **DO NOT USE CHEMICALS OR FLUIDS TO START THE FIRE.**
- **NEVER USE CHEMICALS, GASOLINE, GASOLINE -TYPE LANTERN FUEL, KEROSENE, CHARCOAL LIGHTER FLUID, OR SIMILAR FLAMMABLE LIQUIDS TO START OR "FRESHEN-UP" A FIRE IN THE STOVE.**
- **KEEP ALL FLAMMABLE LIQUIDS, ESPECIALLY GASOLINE, OUT OF THE VICINITY OF THE STOVE -WHETHER IN USE OR IN STORAGE.**

THIS STOVE IS DESIGNED TO BURNED WOOD FUEL ONLY!

Hardwood, 18" to 20"/45cm to 50cm should be air dried (seasoned), for a minimum of 1 year. Logs greater than 6"/152mm in diameter should be split. Wood should be stored in a dry, well ventilated area.

The humidity content for usable firewood must be less than 20% of the weight of the log.

Attempts to use wet or unseasoned wood will cause:

- ignition problems
- rapid creosote build-up resulting in chimney fire
- incomplete combustion
- low heat yield
- blackened windows

This heater is designed to burn natural wood only. Higher efficiencies and lower emissions generally result when burning air dried seasoned hardwoods, as compared to softwoods or to green or freshly cut hardwoods. **DO NOT BURN**

- 1) Garbage;
- (2) Lawn clippings or yard waste;
- (3) Materials containing rubber, including tires;
- (4) Materials containing plastic;
- (5) Waste petroleum products, paints or paint thinners, or asphalt products;
- (6) Materials containing asbestos;
- (7) Construction or demolition debris;
- (8) Railroad ties or pressure-treated wood;
- (9) Manure or animal remains;
- (10) Salt water driftwood or other previously salt water saturated materials;
- (11) Unseasoned wood;
- (12) Paper products, cardboard, plywood, or particleboard.

The prohibition against burning these materials does not prohibit the use of fire starters made from paper cardboard, saw dust, wax and similar substances for the purpose of starting a fire in an affected wood heater. Burning these materials may result in release of toxic fumes or render the heater ineffective and cause smoke

OPTIMAL FUEL CONSUMPTION

This stove is designed to get the most efficient transfer of heat energy from the wood fuel and radiate in into your living environment. The fire box introduces combustion air through three sources.(1) Immediately beneath the door opening below the window is a Lower Primary Air Orifice(LPAO).(2) The primary air inlet control(center control lever) bring air into the firebox and controls the rate of burn (and the amount of the heat the stove radiates).(3) The secondary air tubes at the top of the firebox are designed to ignite the combustion gases(smoke) given off by the burning wood and increase the efficiency of the stove and reduces chimney emissions.

Smoke given off by burning fuel consist of very small organic liquid droplets. If there droplets condense, they form a sticky tar-like substance called creosote. When operate properly, the stove is designed to burn these droplets. Burning these droplets releases heat that would otherwise be lost up the chimney as smoke. Following the instructions below will help you operate your stove properly to maximize the stove's performance. Actual performance is dependent on chimney

continued on next page

height, weather, log size, wood species and moisture content. Some experimentation will initially be required to find that “sweet spot” where your stove performs best. The following will give you a starting point to find your optimum settings.

When first loading fuel set the primary air inlet control (center) at the wide open (Pull out) position for at least 15–20 minutes (the high burn duct control should be closed – pulled out – when starting fires). When the stove is working properly you should be able to observe secondary combustion flames above the fuel pieces in front of the secondary air tubes at the top of the firebox. These secondary flames should continue to burn after the primary air inlet is reset from wide open to the desired operating setting. If the flames do not continue to burn, open the air control to re-establish the secondary flames then slowly reset the air control to the desired setting. Initially it may take several attempts to figure your stove out. But once you find the operating “sweet spot” and the correct mix of procedures to get there, only minor adjustments will be necessary.

The best indicator of a properly operating stove is to look for smoke coming out of the chimney. You may see steam emissions that will quickly dissipate. Smoke will thin but continue to drift without totally disappearing. If you do detect smoke emissions, open the air control a little bit, let the stove adjust for 10–15 minutes and re-check your chimney. Remember – visible smoke represents lost heat.

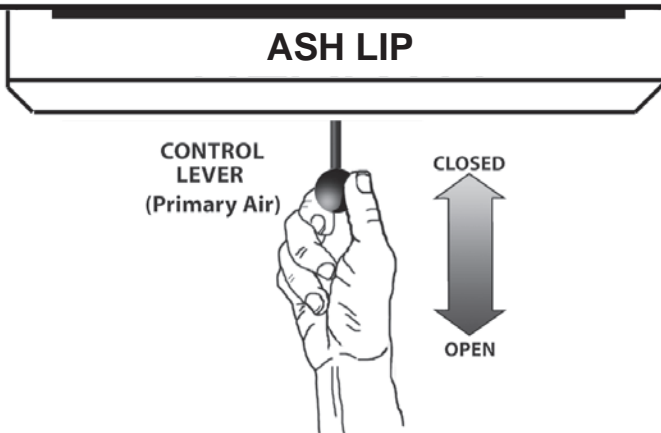
NOTICE - INITIAL BURNS TO CURE PAINT BECAUSE OF THE HIGH OPERATING TEMPERATURES, THIS STOVE USES A SPECIAL HIGH-TEMP PAINT WHICH REQUIRES A SERIES OF BURNS TO CURE THE PAINT FOR DURABILITY AND A LIFETIME OF SERVICE.

Proper curing of the high-temp paint requires a series of three initial burns. The stove should be allowed to cool off between each burn. The first two burns should be small fires and low temperatures (250°F/120°C) for a duration of 20 minutes each. The third fire should be at a medium-high temperature (500 to 700°F/260 to 370°C) for twenty minutes. Provide adequate cross ventilation to clear any smoke or odor caused by initial firings.

STARTING A FIRE

1. Set **Primary Air Inlet Control Lever** (round ball control located under the center of the ash lip) to the fully open position (pull control out towards you).
NOTE: OPEN/HIGH=OUT; CLOSED/LOW=IN.
2. Open the feed door and place several wads of crushed paper in the firebox.
3. Cover the paper with a generous amount of kindling in a teepee fashion and a few small pieces of wood.
4. Ignite the paper and leave the door open slightly. **DO NOT LEAVE STOVE UNATTENDED WITH DOOR OPEN! Except while tending the fire, operating the stove with the feed door open or ash clean out cover removed may cause over firing resulting in unsafe operating conditions.**
5. Add large pieces of wood as the fire progresses being careful not to overload. (Do not fill firebox beyond firebrick area.) An ideal coal bed of 1” – 2” (25mm - 50mm) should be established to achieve optimum performance.
6. This unit is designed to function most effectively when air is allowed to circulate to all areas of the firebox. TIP: If ash or coals remain in the stove, make sure to clear them away from the Lower Primary Air Orifice (LPAO) and rake a slight (1” – 2”/25mm-50mm wide) trough down the center of the coal bed from front to back prior to loading the fuel.

continued on next page



7. Once fuel has been loaded, close the door and leave the air inlet control fully open until fire is well established (at least 15–20 minutes) being careful not to over fire (if any of the exterior parts of the stove or chimney connections begin to glow you are over firing the stove).
8. Re-adjust the primary air inlet control to the desired burn rate. For “high” setting pull the primary air control (center control) all the way out, for “low” push all the way back. (If excessive smoke fills the firebox, open air inlet control slightly until flames resume and wood is sufficiently ignited.) The basic rule of thumb is “closed (push in) = low,” “half way open = medium” and “fully open (pull out) = high.”
9. **CAUTION:** Always be sure to securely close the front door when you are satisfied with the quality of the fire burn. Firmly rotate door handle counter-clock-wise until the handle stops rotation. Never leave stove unattended with door open!

CAUTION: DO NOT OVER FIRE APPLIANCE. YOU ARE OVER FIRING IF THE CHIMNEY CONNECTORS OR STOVE GLOWS RED. CLOSE THE DOOR AND IMMEDIATELY SHUT ALL AIR CONTROLS (PUSH IN) TO REDUCE THE AIR SUPPLY AND SLOW DOWN THE FIRE.

CAUTION: SLOW BURNING FIRES AND EXTENDED USE MAY CAUSE EXCESSIVE CREOSOTE BUILDUP. IGNITION OF CREOSOTE OR OVER FIRING MAY CAUSE A CHIMNEY FIRE. CHIMNEY FIRES BURN EXTREMELY HOT AND MAY IGNITE SURROUNDING MATERIALS. IN CASE OF A CHIMNEY FIRE CALL THE FIRE DEPARTMENT IMMEDIATELY.

ADDING FUEL

If the coal bed is not hot and glowing, rake the coals to the front of the stove, close the door and adjust the primary air inlet control to the wide open position. Let the coals re-heat for 10–15 minutes. When hot and glowing, spread them out and place your next fuel load into the stove (make sure no coals or ashes block the LPAO). Leave the primary air inlet control in the wide open (pulled out) position for 15–20 minutes.

Fuel load size can vary but should be kept 1–2” (25mm-50mm) below the secondary air tubes. Also position the fuel to leave space so the air from the inlet can work between the pieces of fuel. This reduces the time it takes for new fuel to burn properly.

1. When refueling, increase the center primary air control to the fully open (pulled out) position. When fire brightens, slowly and carefully open the door. This procedure will prevent unburned gases from igniting causing smoke and flame spillage.
2. When adding fuel be careful not to hit, bump or damage the secondary air tubes at the top of the firebox.
3. Add fuel being careful not to overload or over fire the stove.
4. When adding fuel be careful not to smother the fire. Do not build fires against glass and make sure the coal bed does not obstruct the air inlet. Do not load fuel to a height or in such a manner that it creates a hazard when opening the door.
5. Close the feed door and secure tightly.
6. Adjust the air inlet control as described above.
7. Empty ashes regularly. Do not allow ashes to pile up (see Safety Instructions #14 on page 2.)
8. Properly dispose of hot ashes (see Safety Instructions, item #14 on page 2.)
9. Do not over fire the stove (over firing is when any part of the stove exterior or chimney connections glow).

CREOSOTE – FORMATION AND NEED FOR REMOVAL

CAUTION: RISK OF FIRE When wood is burned slowly, it produces tar and other organic vapors, which combine with expelled moisture to form creosote. The creosote vapors condense in the relatively cool chimney flue of a slow-burning fire. As a result, creosote residue accumulates on the flue lining. When ignited this creosote makes an extremely hot fire.

The chimney connector and chimney should be inspected at least once every two months during the heating season to determine if a creosote buildup has occurred.

If creosote has accumulated (3mm or more) it should be removed to reduce the risk of a chimney fire.

Failure to remove creosote may result in ignition and may cause a house/building fire. Creosote may be

continued on next page

removed using a chimney brush or other commonly available materials from your local hardware retailer.

Chimney fires burn very hot. If the unit or chimney connector should glow red, reduce the fire by closing the inlet air control and immediately call the fire department.

CAUTION: A CHIMNEY FIRE MAY CAUSE IGNITION OF WALL STUDS OR RAFTERS WHICH WERE ASSUMED TO BE A SAFE DISTANCE FROM THE CHIMNEY. IF A CHIMNEY FIRE HAS OCCURRED, HAVE YOUR CHIMNEY INSPECTED BY A QUALIFIED EXPERT BEFORE USING AGAIN.

A fire in the firebox may be smothered by pouring a large quantity of coarse salt, baking soda, or cool ashes on top of the fire.

PREVENTING CREOSOTE BUILDUP

1. Creosote will inevitably form in your chimney and connector pipe. Following these steps will help reduce the rate of build up.
2. **BURN ONLY SEASONED WOOD** that has dried for at least one year. (<20% humidity by weight)
3. Burn hardwood rather than softwood. Hardwood is denser or heavier wood and burns hotter.
4. Do not attempt to burn (or mix in) green or wet wood. The use of green or wet wood will cause a rapid build up of creosote. Wood that hisses, sizzles and blackens without igniting in five minutes must be considered too wet to burn.
5. Do not attempt to extend the burn time by using wet wood. Not only does burning wet wood rapidly build up creosote, but it reduces the heat output by up to 25 percent.
6. Burn the stove with the primary air inlet control wide open (pulled out) for 10-25 minutes every time fresh wood is loaded into the stove. Do not load more than ¼ to ½ of the fuel capacity at one time. Loading too much wood at once will cause excessive smoke which contains creosote. Mature fires or coals produce very little creosote-producing smoke.
7. Burn with the primary air control open (pulled out) for several minutes at numerous intervals throughout the day, being careful not to over fire the unit. Following this process will help to warm the chimney and reduce the amount of creosote forming condensation within the chimney.
8. Establish a routine for the handling of fuel, firing, and operating the stove. Check daily for creosote build up until experience shows how often you need to clean for safe operation. Be aware that the hotter

the fire, the less creosote is deposited and weekly cleanings may be necessary in mild weather even though monthly cleanings may be enough in the colder months.

WARNING: IN CASE OF CHIMNEY FIRE:
(1) CLOSE AIR INLET CONTROL (PUSH IN)
(2) GET OUT OF THE HOUSE
(3) CALL THE FIRE DEPARTMENT.

CHIMNEY DRAFT

The chimney is critical to the proper operation of the stove. **It is the chimney that creates draft; THE STOVE DOES NOT AND CANNOT CREATE DRAFT.** The chimney provides two vital functions for proper stove operation. First, it is the passage to exhaust smoke and hot gases created in the combustion process. Secondly, it supplies the draft (or pressure) to bring oxygen to the fire to sustain combustion. Draft is the natural movement of air or gases through a chimney. Chimney draft comes from the natural tendency for hot (less dense) air to rise. As the hot air rises within the chimney it creates a lower pressure at the bottom of the chimney to which the stove is connected. The higher pressure air outside the stove then rushes into the stove where the lower air pressure level exists, thus bringing oxygen to the fire. This constant flow of air is referred to as the draft. Many factors or combination of factors can act together to build or impede the draft. Without the correct amount of draft, the stove will not operate properly.

If there is excessive draft, an unsafe condition will arise with too much air being drawn into the stove and creating an excessively hot fire. This could cause over firing which runs the risk of igniting structural elements around the stove and chimney.

The most common experience is that of insufficient draft. Under insufficient draft conditions, the fire will be starved for oxygen, improper or incomplete combustion occurs resulting in smoke spillage into the area around the stove. A fire that is starved for oxygen will not burn well. Such a fire will produce excessive smoke that will cool and condense in the chimney creating creosote. Excessive amounts of creosote buildup can ignite causing a chimney fire with the possibility of structural elements igniting as well.

Correct any draft related issues before using the stove. The following are some possible causes of insufficient draft. Please note that one or more factors may play a role in a draft issue and certain factors may change over time as conditions vary.

continued on next page

1. Atmospheric Pressure and Air Supply

Atmospheric pressure that affects the draft may occur from outside the structure, inside the structure, or both. High pressure weather (clear and cold) usually produces a better chimney draft than low pressure (overcast and damp) conditions. Negative pressure can be created inside a home by appliances that expel air from within such as bathroom vents, range hoods, clothes dryers, and forced air furnaces. Do not allow such appliances to overcome the natural draft. Note that newer homes tend to be built more tightly allowing less make up air to seep freely in. Negative pressure may be overcome by opening a nearby door or window. In extreme conditions of negative draft, the airflow in the chimney will reverse direction. This is known as “down drafting.”

2. Environmental Factors

Wind or air deflecting off external objects such as the roof, neighboring structures, trees, or hills. These can cause a pressure change in the air surrounding the chimney.

3. Chimney Temperature

The temperature of the chimney is an important factor in how well it drafts. Warm chimneys draft better than cold chimneys. This is based upon the principle that hot air rises while cold air sinks. Hot gases going up a cold chimney will cool rapidly. Warm the chimney by allowing a hot fire to burn for the first fifteen to thirty minutes after starting the fire. Be careful not to over fire the stove. If any part of the stove or chimney starts to glow, you are over firing the stove. Masonry chimneys will take longer to warm than manufactured chimneys on account of their greater structural mass. Chimneys that have a flue diameter larger than the stove outlet take more heat to warm, thus resulting in a faster cooling of the hot gases needed to build or maintain draft.

4. Chimney Installation and Maintenance

Confirm that **all four minimum chimney height requirements** listed in the Chimney Connection section of the manual have been met. The physics that link chimney height with draft creation are vital to the proper operation of the stove. Failure to meet each of these minimum requirements will have an adverse affect on draft. Avoid long horizontal runs or multiple elbows. Use stove cement to seal joints in the connector pipe section. Regularly clean the chimney, connector pipe, rain cap, and spark arrestor screen. Creosote build up can reduce the

chimney draw and possibly create a chimney fire.

5. Temporarily Out of Operation

After the fire has burned out, open the air control to its fully open position. This will allow warm room air to enter the chimney and keep it as warm as possible until the stove is used again.

For assistance involving chimney draft issues, contact a knowledgeable licensed heating and cooling contractor in your area. For questions regarding manufactured chimney, contact the manufacturer of the chimney.

NOTE: A DRAFT READING OF 0.05 TO 0.06 W.C. (WATER COLUMN) IS REQUIRED FOR PROPER BURNING OF THIS STOVE.

GLASS CARE

CAUTION: DO NOT OPERATE WITH CRACKED OR BROKEN GLASS.

Periodic cleaning of glass will be necessary to prevent accumulations of ash. Acidic ash buildup can eventually etch and weaken glass. Creosote accumulations should burn off during hot fires. The following usage and safety tips should be observed:

1. Inspect the glass regularly for cracks and breaks. If you detect a crack or break, extinguish the fire immediately and contact the manufacturer for a replacement before re-firing the stove.
2. Do not slam the door or otherwise impact the glass. When closing doors, make sure that logs or other objects do not protrude to impact the glass.
3. Do not build fires against (or that might fall against) the glass.
4. Do not clean the glass with materials that may scratch (or otherwise damage) the glass. Scratches on the glass can develop into cracks or breaks during operation.
5. Never attempt to clean the glass while the unit is hot; allow to dry thoroughly before reuse. If deposits are not very heavy, normal glass cleaners are adequate using a soft, non-abrasive cleaning pad.
6. Never put substances which can ignite explosively in the unit. Even small explosions in confined areas can blow out the glass.

continued on next page

WARNING: REPLACE GLASS ONLY WITH 4MM HIGH TEMPERATURE CERAMIC GLASS OF THE PROPER SIZE. DO NOT USE SUBSTITUTE MATERIALS SUCH AS TEMPERED GLASS OR DOUBLE THICKNESS WINDOW GLASS! CONTACT THE STOVE MANUFACTURER FOR REPLACEMENT GLASS.

Gasket and Glass cleaning products are available at local retail home centers. Manufacturers of cleaning products include, A.W. Perkins Co. (www.awperkins.com) or Rutland Products (www.rutland.com).

After extensive use, the gasket material which provides glass and door seal may lose its resiliency and will need to be replaced. Inspect glass and door gaskets periodically to ensure proper seal; if gaskets become frayed or worn, replace immediately.

This wood heater needs periodic inspection and repair for proper operation. It is against federal regulations to operate this wood heater in a manner inconsistent with operating instructions in this manual.

DOOR GASKET REPLACEMENT

CAUTION: DO NOT OPERATE A STOVE THAT IS MISSING DOOR GASKET MATERIAL. OVER FIRING AND UNSAFE OPERATING CONDITIONS MAY RESULT.

PROCEDURE:

1. Ensure appliance is not in operation and is thoroughly cooled.
2. Remove old door gasket and clean channel.
3. Using an approved, high temperature gasket cement, apply a thin coat in bottom of channel.
4. Starting at hinge side of door, work gasket into channel around door unit, end butt and trim to length.
5. Close door and allow three to four hours for cement to set before firing appliance.

Whenever ashes get 3 to 4 inches deep in your firebox or ash pan, and when the fire has burned down and cooled, remove excess ashes. Leave an ash bed approximately 1 inch deep on the firebox bottom to help maintain a hot charcoal bed.

Ashes should be placed in a metal container with a tight-fitting lid. The closed container of ashes should be placed on a noncombustible floor or on the ground, away from all combustible materials, pending final disposal. The ashes should be retained in the closed container until all cinders have thoroughly cooled.

Front Baffle Support

1. Remove the front baffle support by lifting it straight up to clean the registration pin on the left side, allowing the right side to come down and out. **See Figure 1 .**
2. Install by inserting the left side up and in first, so that the right side will fit up and set the slot around the pin. **See Figure 2.** Set the left side down so that the pin goes thru the hole.
3. Make sure the center baffle support sets in the bottom notch of the front support. **See Figure 3.**

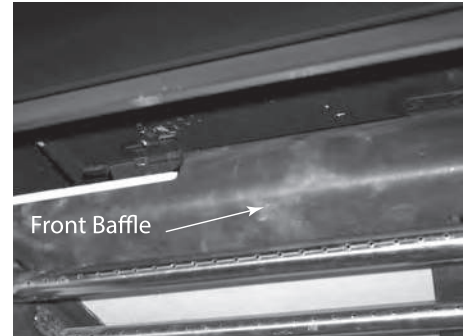


Figure 1

Center Baffle Support

1. Remove the front baffle support (see step 1 above).
2. While supporting the two front baffle firebricks, pull the center support straight out. **See Figure 4 .**
3. Install the new baffle with the short leg to the back. **See Figure 5.**
4. Lift up on the firebrick and slide it in so that it supports all the brick and sets up on the back flange. **See Figure 4.**
5. Install the front baffle support (see steps 2-3 above).

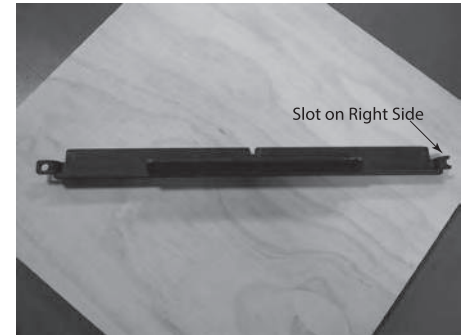


Figure 2

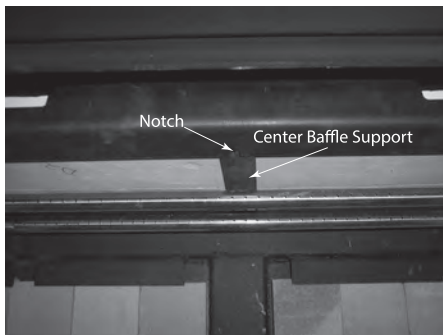


Figure 3



Figure 4

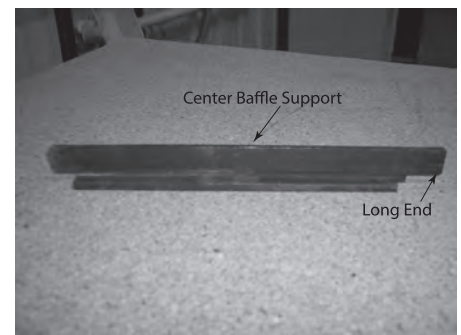


Figure 5

BAFFLE REMOVAL

Ceramic Fiber Board

1. Remove the front air tube using a pair of pliers to grab the retaining clip on the left side of the tube and pull it out. Slide the tube all the way to the right so that the left side falls out. Move the tube down and forward to completely remove the tube. **See Figure 6.**
2. Remove the front baffle support by lifting it straight up to clear the registration pin on the left side, allowing the right side to come down and out. **See Figure 7.**
3. While supporting the two front baffle firebricks, pull the center baffle support straight out. Slide the firebrick forward and out. **See Figure 8.**
Note: Always be careful not to drop any firebricks as they damage easily.
4. Remove the ceramic fiber boards by lifting up on one of them and pulling the other one out. With one hand, reach up to the flame spreader that is setting on top of the last board and push it up. Pull the board out with your hand. **See Figure 9.**
5. To install, push the flame spreader back and up. Insert one board over the tubes tight to the back and side. **See Figure 10.**
Note: The shortest length goes front to back.
6. Lift up on the piece you just installed. Insert the second piece up and in. They should butt up together in the center. **See Figure 11.**
7. Slide the two back baffle firebricks in while pushing up on the ceramic board, getting them to rest on the back and side of the lower angle support.
8. Slide the center baffle support in between the firebrick (short leg to the back) so that it rests on the back angle. **See Figure 11.**
9. Adjust the firebrick so that they are resting on the center support, side and back angle.
10. Install the rest of the firebrick.
11. See steps 1-3 for front baffle support and tube installation.



Figure 9



Figure 6

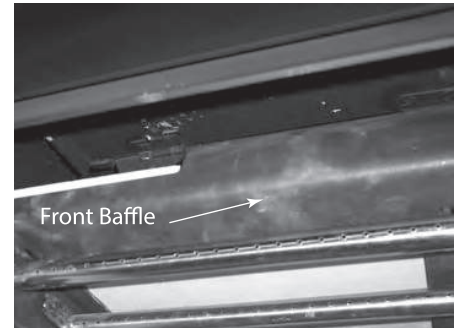


Figure 7



Figure 8

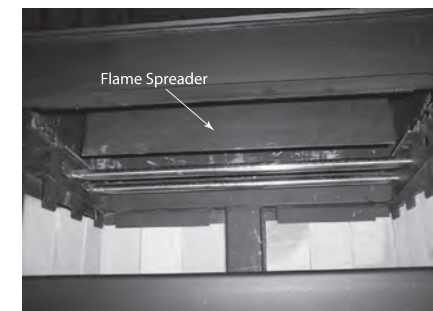


Figure 10

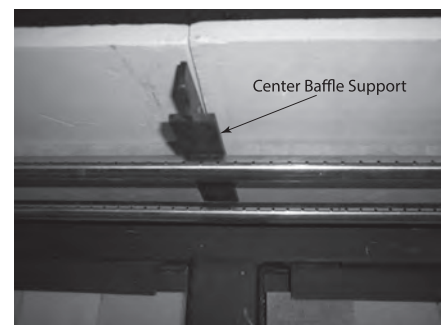
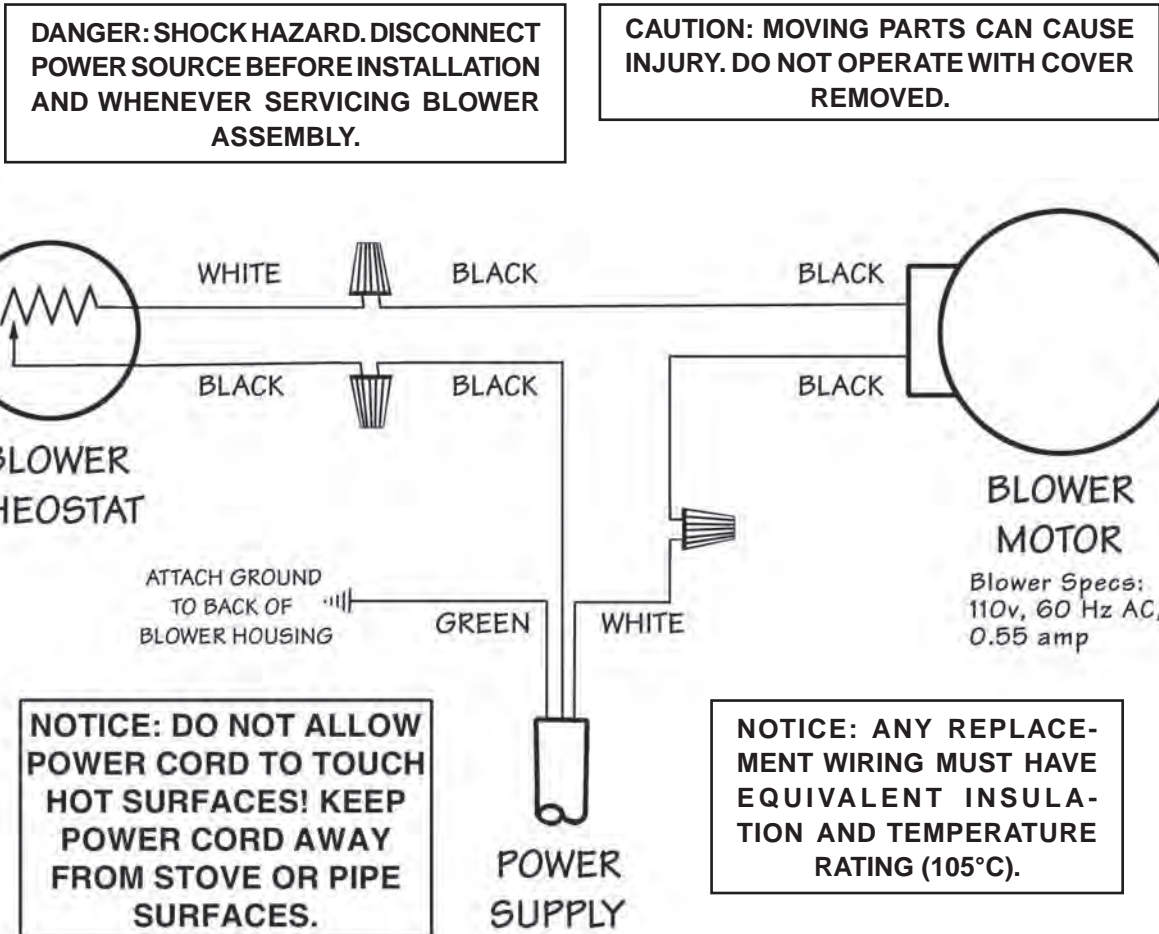


Figure 11

BLOWER MAINTENANCE & WIRING DIAGRAM

BLOWER MAINTENANCE

The optional blower is maintenance free other than cleaning. Lightly vacuum motor and air inlet to keep free of dust and dirt.



FLOOR PROTECTOR MATERIAL CALCULATIONS

This stove has been tested for and must be installed on a floor protector with the proper Thermal Resistance or R-value as stated in step 1 of the installation instructions under “Locating Stove” section of this manual. If the floor protector materials listed in the instructions are not available, materials with an equivalent R-value may be substituted.

Alternate materials may be rated with C-factor (Thermal Conductance) or k-factor (Thermal Conductivity) ratings which must be converted to R-value to determine if the alternate material meets the tested requirements. The following instructions provide the proper information and formulas for conversion to R-value.

To determine if alternate materials are acceptable follow this sequence.

1. Convert material specifications to R-value:
 - a. R-value given — no conversion necessary
 - b. K-factor is given with a required thickness (T) in inches:

$$R = 1/k \times T$$
 - c. C-factor is given: $R = 1/C$
2. Determine the R-value of proposed alternate floor protector:
 - a. Use formulas in step 1 above to calculate R-value of proposed material(s).
 - b. For multiple layers, add R-values of each layer to determine overall R-value.
3. If the overall R-value of the floor protector system is equal to or greater than the floor protector specifications given, the alternate is acceptable.

Definitions:

$$\text{Thermal conductance}(C) = \frac{\text{BTU}}{(\text{hr})(\text{ft}^2)(\text{°F})} = \frac{\text{W}}{(\text{m}^2)(\text{°K})}$$

$$\text{Thermal conductivity (k)} = \frac{(\text{Btu})(\text{inch})}{(\text{hr})(\text{ft}^2)(\text{°F})} = \frac{\text{W}}{(\text{m})(\text{°K})} = \frac{\text{Btu}}{(\text{hr})(\text{ft})(\text{°F})}$$

$$\text{Thermal resistance (R)} = \frac{(\text{ft}^2)(\text{hr})(\text{°F})}{\text{Btu}} = \frac{(\text{m}^2)(\text{°K})}{\text{W}}$$

Example:

The specs of floor protector material should be 3/4-inch thick material with a k-factor of 0.84.

The proposed alternative material is 4” brick with a C-factor of 1.25 over 1/8-inch mineral board with a k-factor of 0.29.

Step 1: Convert specs to R-value.

$$R = 1/k \times T = 1/0.84 \times 0.75 = 0.893 \quad \text{System must have a R-value of } 0.893 = R_{\text{specs}}$$

Step 2: Calculate R-value of individual components

$$4” \text{ Brick with C-factor} = 1.25. \quad R = 1/C = 1/1.25 = 0.80 = R_{\text{brick}}$$

$$1/8\text{-inch (0.125”) mineral board with k-factor} = 0.29. \quad R = 1/0.29 \times 0.125 = 0.431 = R_{\text{min.brd.}}$$

Step 3: Add R-values of components to get total R-value of system

$$R_{\text{brick}} + R_{\text{min.brd}} = 0.80 + 0.431 = 1.231 = R_{\text{system}}$$

Step 4: Compare Rsystem to Rspecs

Rsystem = 1.231 is larger than Rspecs of 0.893. System R-value exceeds the required specifications and therefore is an acceptable alternative.

**Hearth & Home Technologies, Inc.
WoodPro Limited Warranty**

Hearth & Home Technologies, Inc. (HHT), on behalf of its WoodPro brand, extends the following warranty for WoodPro appliances purchased from an authorized retailer.

If you experience issues with your WoodPro appliance, Consumer Care is available to assist you with troubleshooting technical issues. Please contact WoodPro Consumer Care at 1-877-427-3316 with any product issues rather than contacting the retailer where you purchased your WoodPro appliance.

This warranty covers components of the WoodPro appliances as listed in the table below.

Warranty Coverage:

Subject to the table below, HHT warrants to the owner of the WoodPro appliance that the appliance will be free from defects in materials and workmanship at the time of manufacture. After installation, if covered components are found to be defective in materials or workmanship during the applicable warranty period, HHT will replace the covered components. HHT, at its own discretion, may fully discharge all of its obligations under such warranties by replacing the product itself or refunding the verified purchase price of the product itself. The maximum amount recoverable under this warranty is limited to the purchase price of the product. This warranty is subject to conditions, exclusions, and limitations as described below.

Warranty Period:

Warranty coverage begins on the date of original purchase. The warranty period for covered components is as follows:

Components Covered	Warranty Period	
	Parts	Labor
Secondary tubes, baffle, gaskets	1 Year	No Coverage
Firebox, flue collar, front door, ash door	3 Years	No Coverage
All replacement parts are covered for remainder of original warranty period or 90 days, whichever is longer.	90 Days	No Coverage

Parts Service & Returns:

HHT is proud to offer the best technical and sales support in the industry. If you have any questions about how to operate your appliance or if you need service parts, please visit WoodProStoves.com or call 1-877-427-3316.

Warranty Exclusions:

Warranty does not cover damage or breakage due to misuse, improper handling or modifications. There is no warranty on the paint or against damage caused from corrosion. There is no expressed or implied performance warranty on WoodPro units as HHT has no control over the installation, operation, cleaning, maintenance, or type of fuel burned.

Some states do not allow exclusion or limitation of incidental or consequential damages, or limitations of implied warranties, so the limitations or exclusions set forth in this limited warranty may not apply to you. This limited warranty gives you specific legal rights and you may have other rights, which vary from state to state.

Warranty is void if the WoodPro appliance has not been installed, operated, cleaned and maintained in strict accordance with the manufacturer's instructions.

NEITHER HHT NOR THE RETAILER FROM WHO YOU PURCHASED YOUR WOODPRO UNIT SHALL BE RESPONSIBLE, LEGALLY OR OTHERWISE, FOR THE INCIDENTAL OR CONSEQUENTIAL DAMAGE TO PROPERTY OR PERSONS RESULTING FROM THE USE OF THIS PRODUCT. ANY WARRANTY IMPLIED BY LAW, INCLUDING BUT NOT LIMITED TO IMPLIED WARRANTIES OF THE MERCHANTABILITY OR FITNESS, SHALL BE LIMITED TO ONE (1) YEAR ON THE BREACH OF THIS WARRANTY OR ANY TYPE OF WARRANTY EXPRESSED OR IMPLIED BY LAW. HHT SHALL IN NO EVENT BE LIABLE FOR ANY SPECIAL, INDIRECT, CONSEQUENTIAL OR OTHER DAMAGES OF ANY NATURE WHATSOEVER IN EXCESS OF THE ORIGINAL PURCHASE PRICE OF THIS PRODUCT. ALL WARRANTIES BY HHT ARE SET FORTH HEREIN AND NO CLAIM SHALL BE MADE AGAINST HHT ON ANY ORAL WARRANTY OR REPRESENTATION.



**Please contact the Hearth & Home Technical Group with
any questions or concerns.**

www.woodprostoves.com

For Customer Service 1-877-427-3316

Prior to calling, please have the model, serial number, and sales receipt of the unit you are calling about.

This information can be found at the rear of the unit.

**We recommend that you record the following pertinent
information for your heating appliance.**

Date purchased/installed: _____

Serial Number: _____ Location on appliance: _____

Store purchased from: _____ Store Location: _____

Notes: _____

(877) 427- 3316