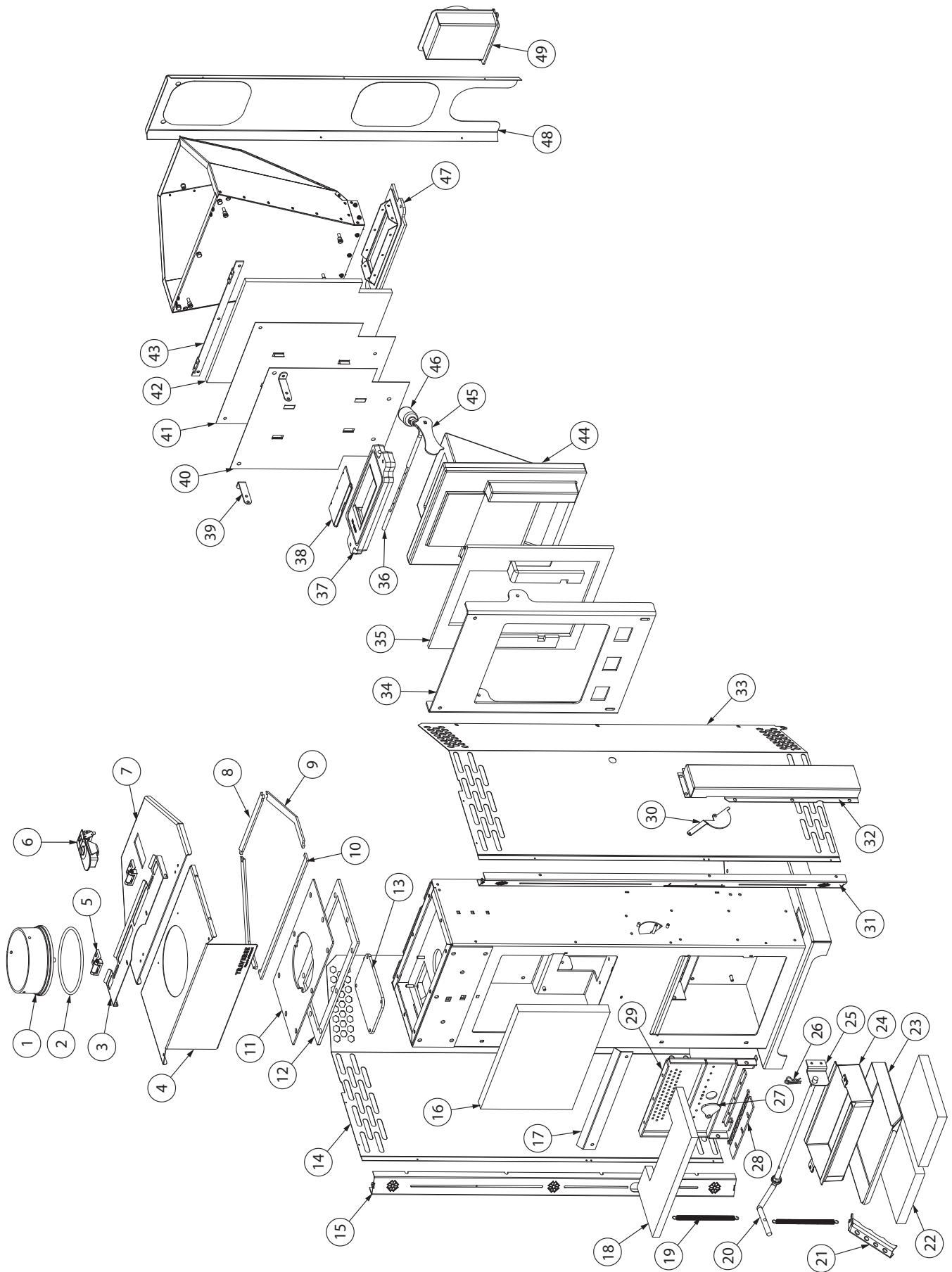


REPLACEMENT PARTS



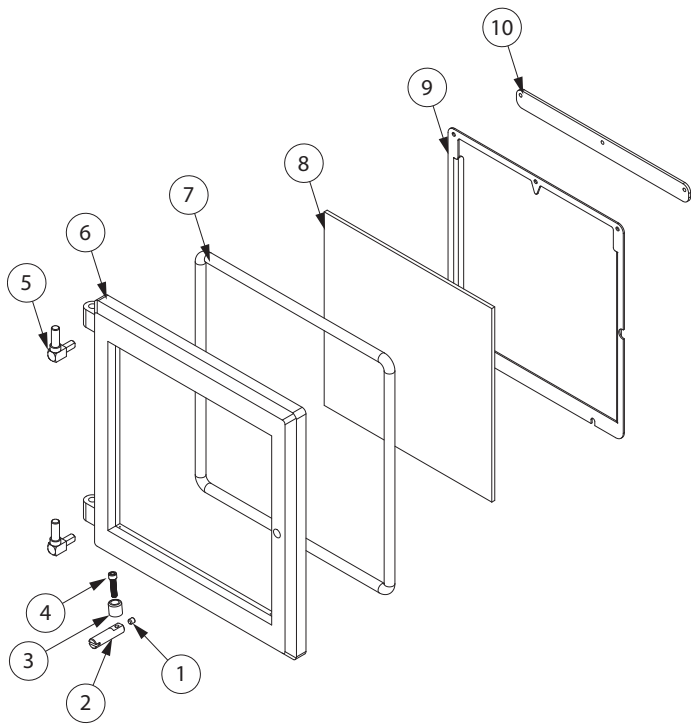
REPLACEMENT PARTS

Key	Part #	Description	Qty
1	40292A	6" Flue Collar	1
2	88042	1/4" Rope Gasket	1
3	610945	Top Filler With Screen	1
4	28689	Cabinet Top	1
5	83968	Offset Hinge	2
6	891125	Hopper Lid Latch	1
7	28646	Hopper Lid	1
8	88320	Hopper Gasket Rear	1
9	88321	Hopper Gasket Sides	2
10	88319	Hopper Gasket Front	1
11	28650	Top	1
12	88290	Top Gasket	1
13	28645	Pop Off Plate	1
14	28635	Left Side Panel	1
15	28986	Left Shoulder	1
16	892964	Back Panel	1
17	28644	Brick Retainer	1
18	893063	Top Panel	1
19	83916	Extension Spring	2
20	893066	Shaker Rod	1
21	29162	Damper/Shaker Basket Tool	1
22	892970	Base Panel	2
23	28686	Ash Pan	1
24	610905	Burn Basket	1

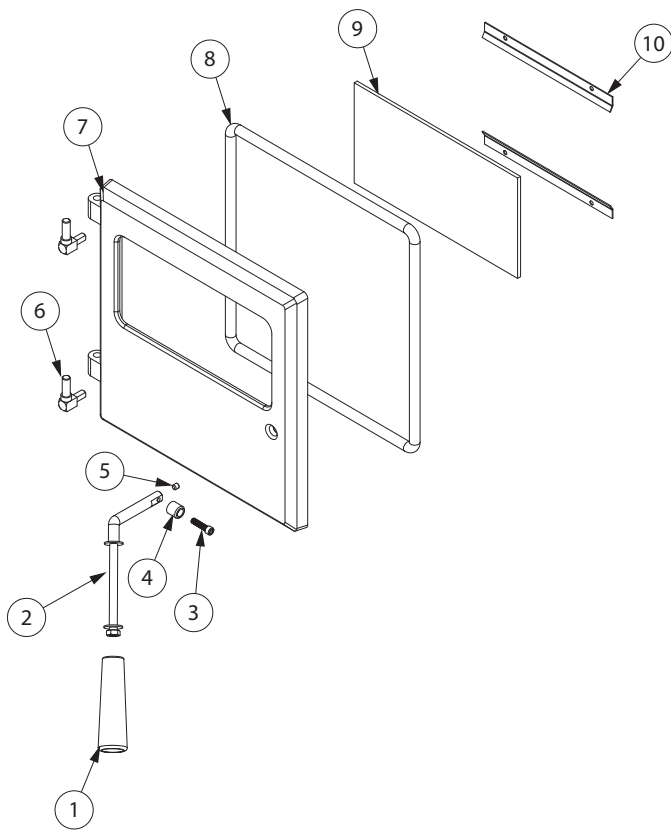
25	28969	Holder	1
26	83529	Hairpin	2
27	28647	Ignition Flap	1
28	28641	Burn Grate	1
29	610906	Secondary Baffle Weldment	1
30	28759	Air Slide	1
31	28687	Right Shoulder	1
32	28964	Air Cover	1
33	29397	Right Side Panel	1
34	28638	Cast Strap	1
35	88292	Cast Gasket	1
36	611019	Fuel Lever Weldment	1
37	40888	Hopper Junction	1
38	610977	Fuel Flap Weldment	1
39	28842	Hopper Bracket	2
40	29288	Outer Heat Shield	1
41	28968	Heat Shield	1
42	88314	Hopper Blanket	1
43	28974	Led Bracket	1
44	892963	Fire Pot	1
45	29391	Handle	1
46	40874	Fuel Cutoff Weight	1
47	610817	Hopper Base	1
48	610946	Back Panel With Screen	1
49	610802	Fresh Air Box	1

IN ORDER TO MAINTAIN WARRANTY, COMPONENTS MUST BE REPLACED USING ORIGINAL MANUFACTURERS PARTS PURCHASED THROUGH YOUR DEALER OR DIRECTLY FROM THE APPLIANCE MANUFACTURER. USE OF THIRD PARTY COMPONENTS WILL VOID THE WARRANTY.

REPLACEMENT PARTS



Key	Part #	Description	Qty
1	83242	1/4-20 X 1/4 Allen Set Screw	1
2	893061	Allen Handle	1
3	893062	Roller Sleeve	1
4	83788	Socket Head Screw	1
5	891372	Pad, Door Hinge (Threaded)	2
6	40865	Viewing Door	1
7	88227	1/2" Overbraided Rope Gasket	4.3 ft
8	892965	Viewing Glass	1
9	28965	Air Wash Spacer	1
10	28721	Air Clamp	1



Key	Part #	Description	Qty
1	893059	Wooden Thru Handle	1
2	892962	Door Handle	1
3	83788	Socket Head Screw	1
4	893062	Roller Sleeve	1
5	83242	1/4-20 X 1/4 Allen Set Screw	1
6	891372	Pad, Door Hinge (Threaded)	2
7	40864	Access Door	1
8	88227	1/2" Overbraided Rope Gasket	4 ft
9	892961	Bottom Glass	1
10	28631	Glass Clamp	2

IN ORDER TO MAINTAIN WARRANTY, COMPONENTS MUST BE REPLACED USING ORIGINAL MANUFACTURERS PARTS PURCHASED THROUGH YOUR DEALER OR DIRECTLY FROM THE APPLIANCE MANUFACTURER. USE OF THIRD PARTY COMPONENTS WILL VOID THE WARRANTY.